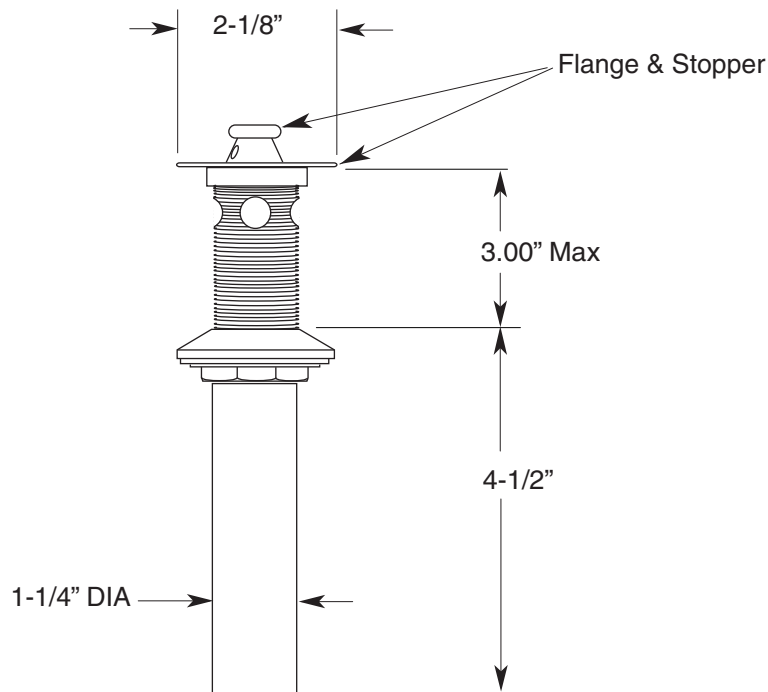


**FEATURES:**

- All brass construction.
- Fits 1-1/2" hole. 1-1/4" x 7-1/2" with overflow holes.
- Flange and stopper: finished only.
- Available in all finishes.
- Certified to meet and exceed the following codes and standards:  
ASME A112.18.1-2005/CSAB 125.1-2005

**Lift & Turn Lavatory Drain  
with Overflow Holes**

18.11.042



Note: Measurements are subject to change or cancellation. No responsibility is assumed for use of superseded or voided pages.