

Wall/Vessel Lavatory Set

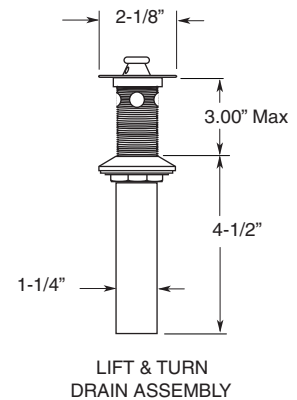
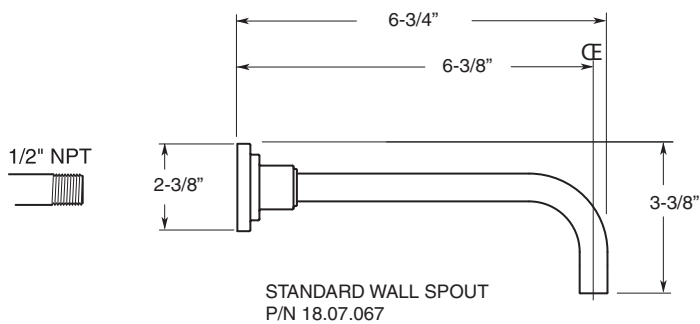
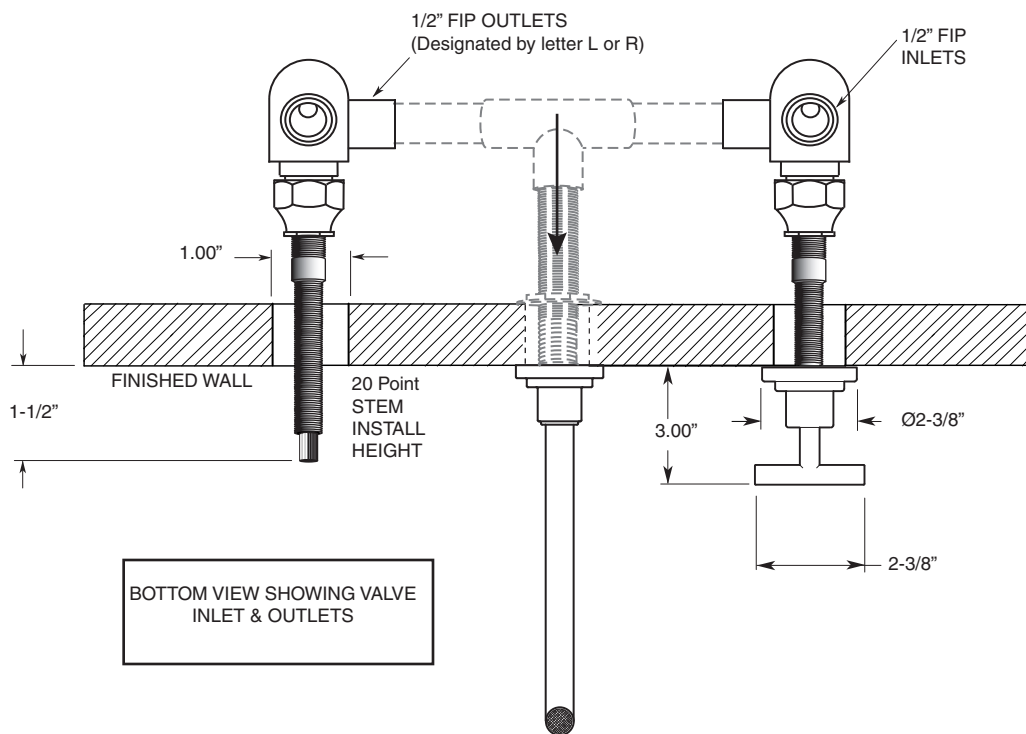
Ceres II Handle

1.345007S

(1.345007ST - Trim Only)

FEATURES:

- All brass construction
- Independent corner valves
- Includes lift & turn drain assembly with overflow: P/N 18.11.042
- Extended wall vessel spout, 9-3/4" long, available P/N: 18.07.068
- 1/4-turn ceramic disc valve cartridge.
- Available in all finishes. Warranty varies according to finish selection.
- Certified to meet or exceed the following codes and standards:
ASME A112.18.1/CSAB 125.1-2011



Note: Measurements are subject to change or cancellation. No responsibility is assumed for use of superseded or voided pages.