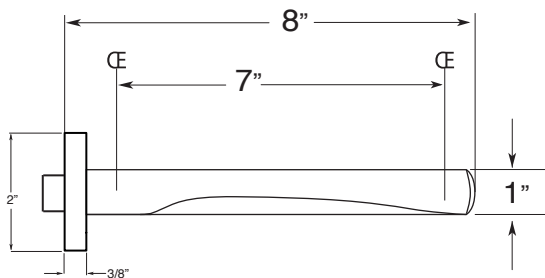
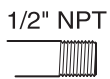
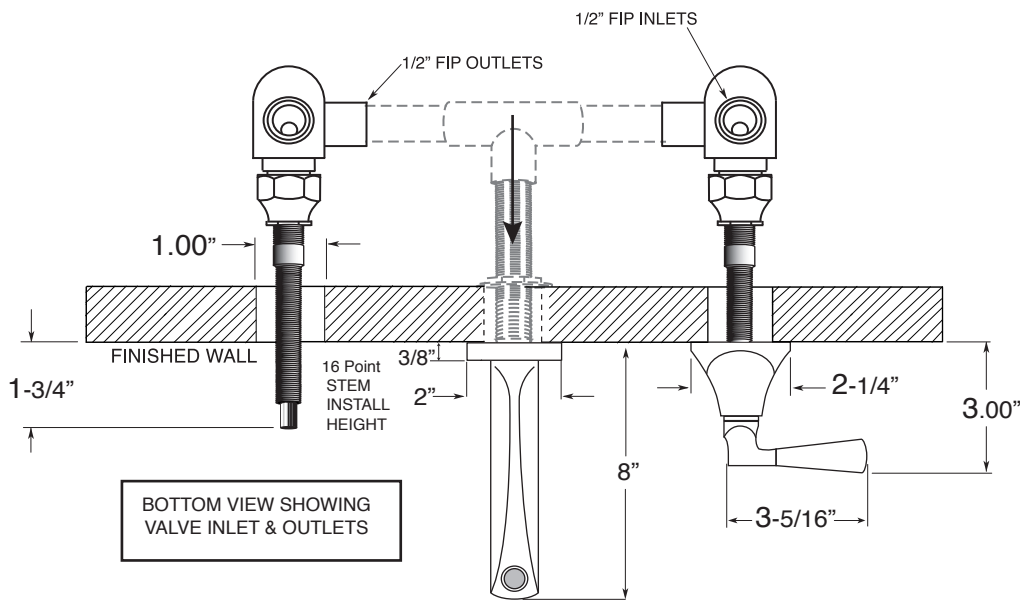
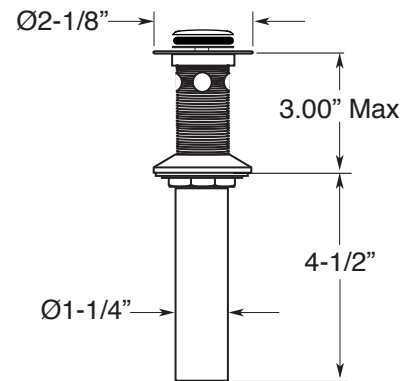


FEATURES:

- All brass construction,
- Independent corner valves
- Includes soft touch drain w/overflow P/N 18.11.052
- 1/4-turn ceramic disc valve cartridge.
- Available in all finishes.
- Warranty varies according to finish selection.
- Certified to meet or exceed the following codes and standards:
ASME A112.18.1 and CSA B125



STANDARD WALL SPOUT



SOFT TOUCH
DRAIN ASSEMBLY
P/N: 18.11.052

Note: Measurements are subject to change or cancellation. No responsibility is assumed for use of superseded or voided pages.