

Series 110
Wall/Vessel Lavatory Set

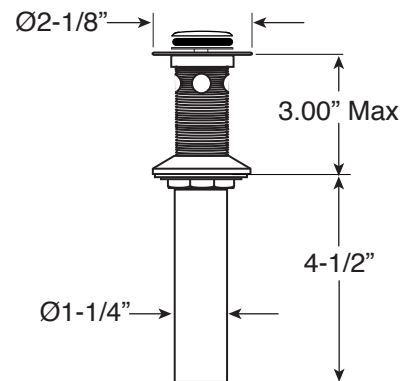
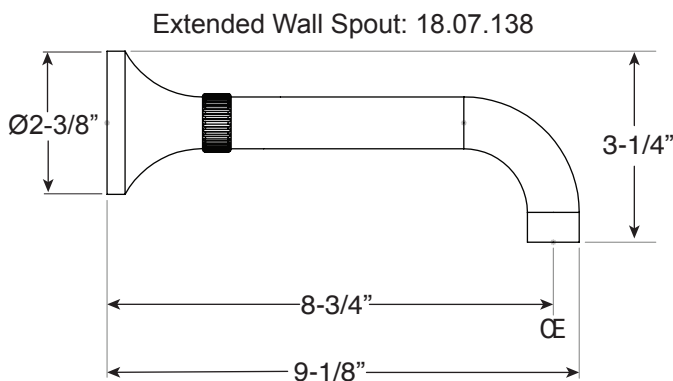
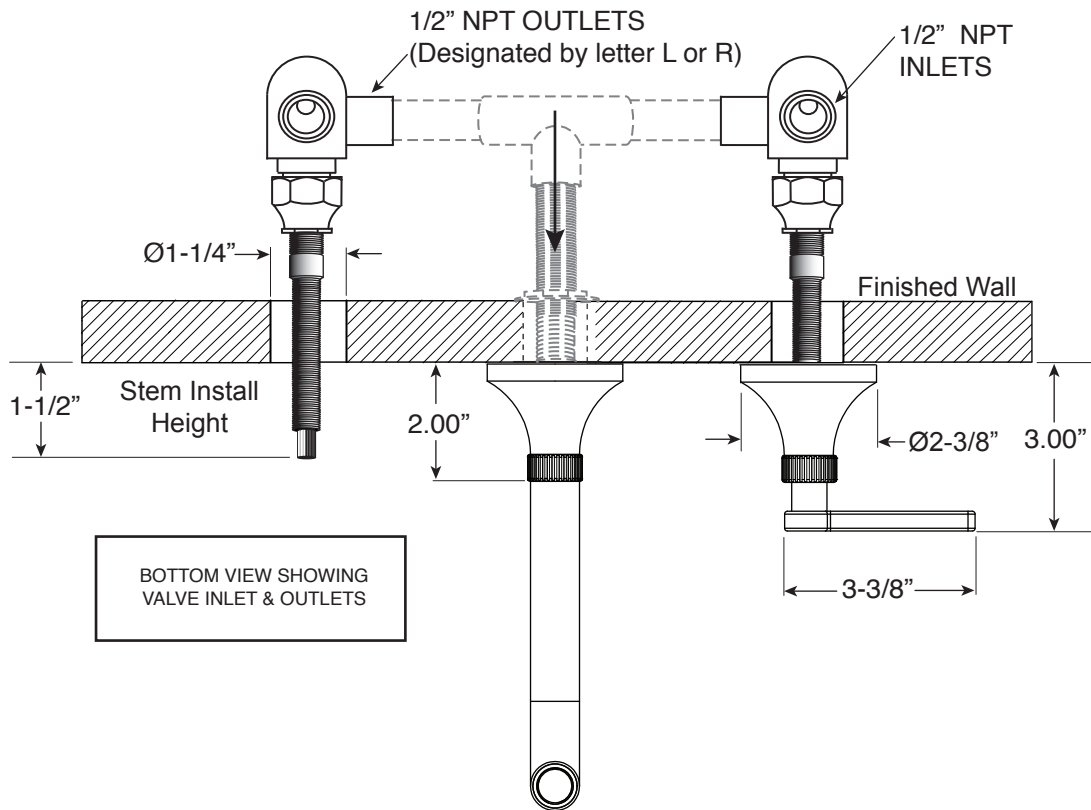
1.110707
(1.110707T - Trim Only)

Stella Handle

Euro Style 20 pt.

FEATURES:

- All brass construction
- Independent corner valves
- Includes soft touch drain w/overflow: P/N 18.11.052
- 1/4-turn ceramic disc valve cartridge.
- Available in all finishes. Warranty varies according to finish selection.
- Certified to meet or exceed the following codes and standards:
ASME A112.18.1/CSAB 125.1-2012



SOFT TOUCH
DRAIN ASSEMBLY
P/N: 18.11.052

Note: Measurements are subject to change. No responsibility is assumed for use of superseded or voided pages.