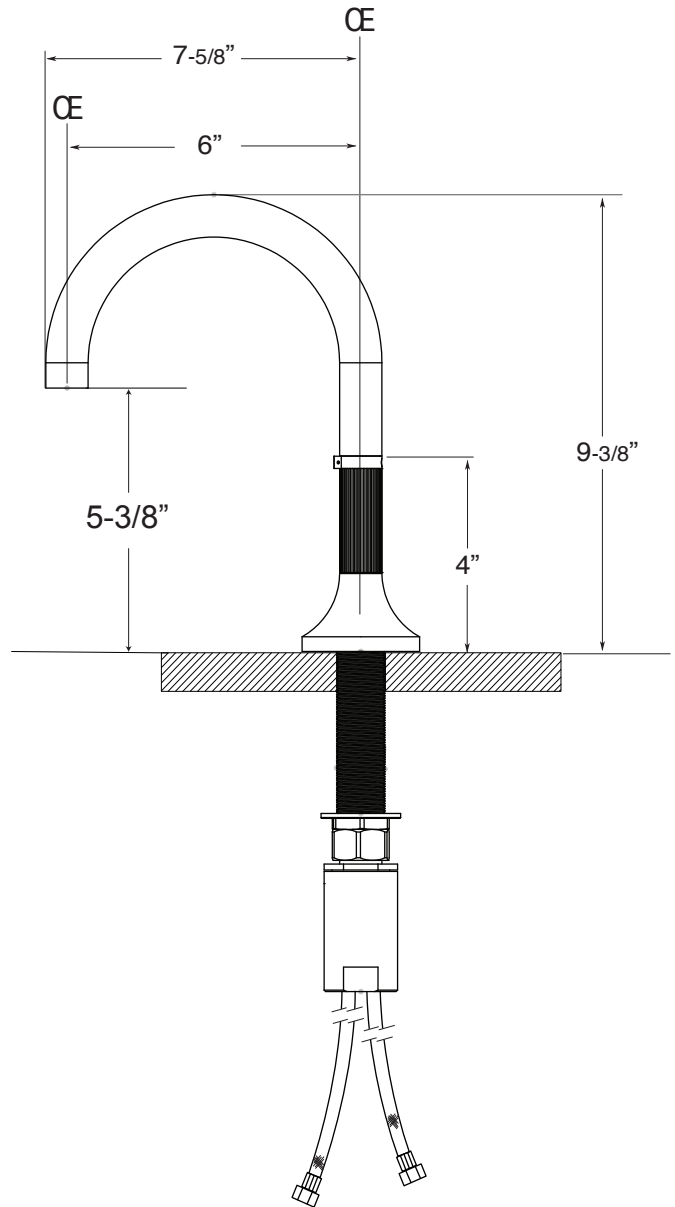
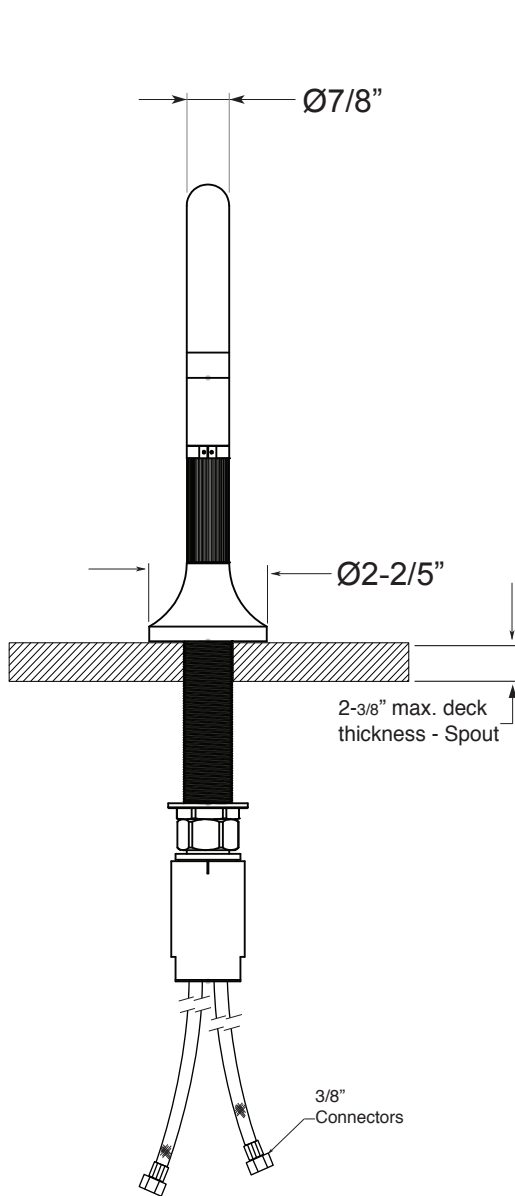


## FEATURES:

- All brass construction.
- Flexible hose connections.
- Includes soft touch style drain with overflow P/N 18.11.052
- Concealed aerator requires special supplied blue removal key.
- Cartridge rotates 180°. Replacement cartridge P/N: 18.30.219
- Available in all finishes. Warranty varies according to finish selection.
- Standard aerator is limited to 1.2 gpm.
- Certified to meet or exceed the following codes and standards:  
ASME A112.18.1/CSA B125.1-2012



**NOTE:** Spouts install through 1-1/4" Diameter Holes.