

FEATURES:

- Cast brass construction
- See catalog for decorative ring selection
- Thermostatic valve cartridge with cover plate: 18.30.147
- Thermostatic reverse cartridge with cover plate: 18.30.161
- 14.28 GPM @ 56 PSI top exit & 11.10 GPM bottom exit
- Meets: ASME A112.18.1-2005/CSAB125.1-2005

**3/4" Thermostatic
with Integral Stops**

Valve & Trim

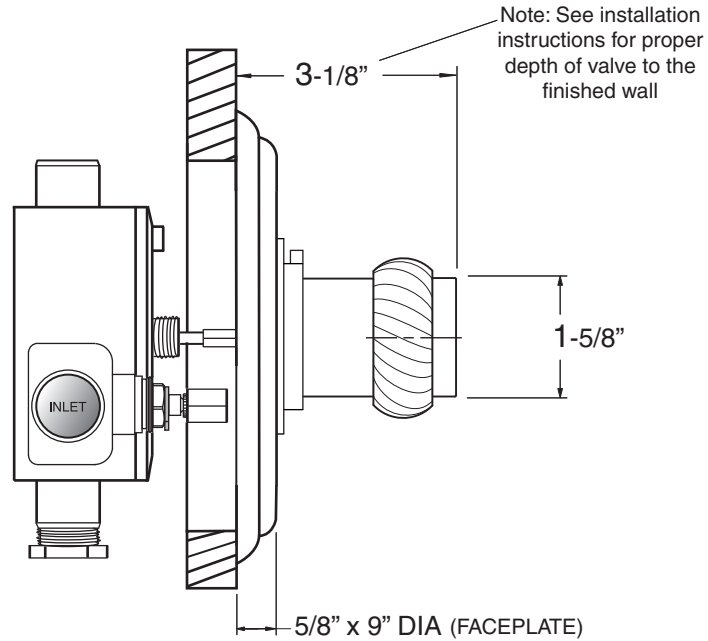
1.001297D

Seville Handle

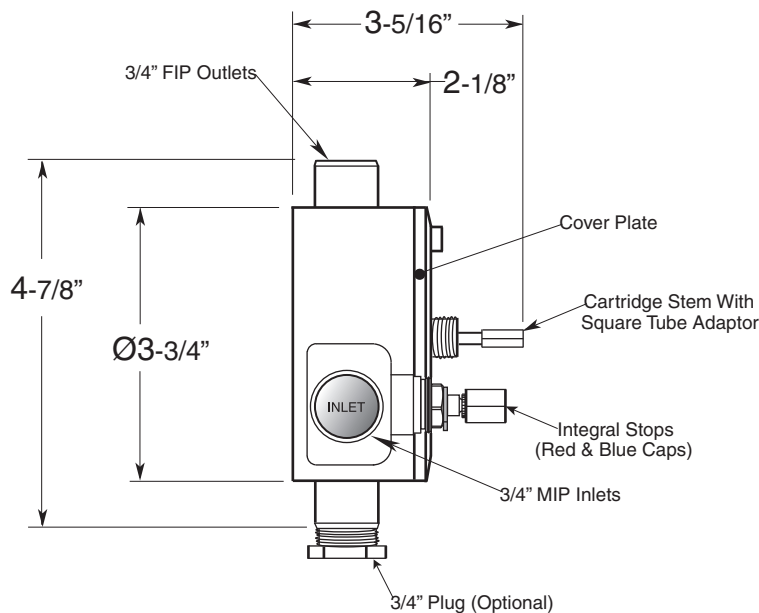
(1.001297DT Trim Only)

NOTE: Separate shut offs required to operate system.

SIDE VIEW - INSTALLED



SIDE VIEW - VALVE ONLY



Note: Measurements are subject to change or cancellation. No responsibility is assumed for use of superseded or voided pages.

Parts List Seville

3/4" Thermostatic with Integral Stops

NOTE: Separate shut-offs required to operate system

