

Series 300

Pressure Balance Shower by Shower Set

**FEATURES:**

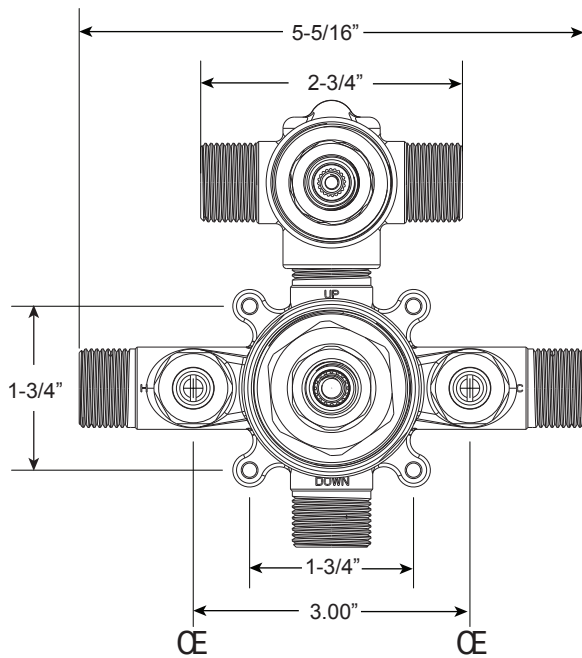
- Forged brass construction
- Valve cartridge 18.30.893
- Diverter cartridge: 18.30.898
- Adjustable hot limit safety stop
- Reversible cartridge
- 4.5 GPM @ 45 PSI
- Certified to meet or exceed the following codes and standards:  
ASME A112.18.1/CSAB 125.1-2012

1.000167

(1.000167T - Trim Only)

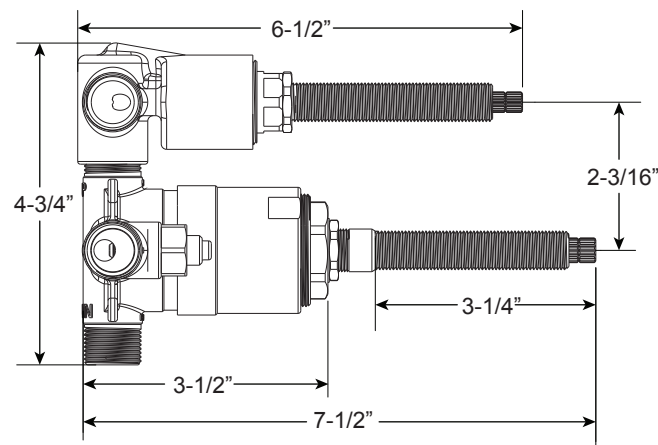
**Aria Handle**

**16 pt.**



**FRONT VIEW**

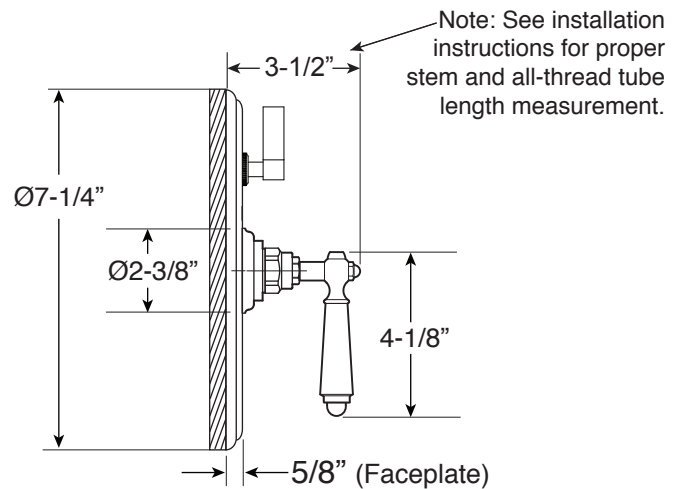
**SIDE VIEW**



*\*Note: Stem and all-thread tube will be sent with handle trim.*

**Please Note:**

*Must purchase the two desired shower components separately. See current catalog for shower component options.*



\* Current valve in use:  
Circa 4/2014 - present  
Contact Customer Service  
for Older Versions

\*\* For additional information on  
cartridges or extension kits,  
see 'Rough Valving' section  
in current catalog.

Note: Measurements are subject to change. No responsibility is assumed for use of superseded or voided pages.

*Pressure Balance Shower by Shower Set*

**Please Note:**

1.000167

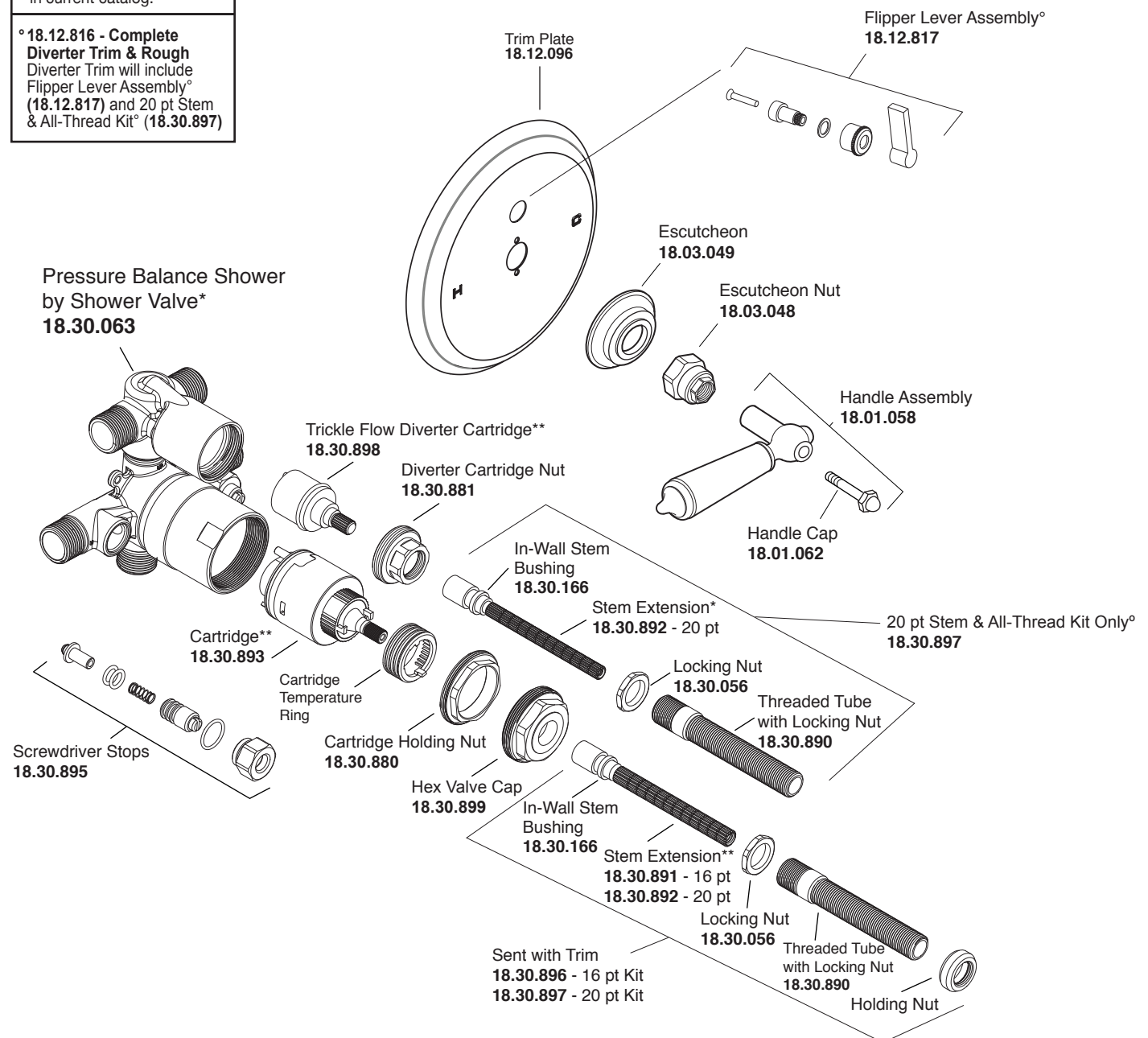
*Must purchase the two desired shower components separately.*

**Aria Handle**

*See current catalog for shower component options.*

**16pt.**

<p>* Current valve in use: Circa 4/2014 - present Contact Customer Service for Older Versions</p>
<p>** For additional information on cartridges or extension kits, see 'Rough Valving' section in current catalog.</p>
<p>° 18.12.816 - Complete Diverter Trim &amp; Rough Diverter Trim will include Flipper Lever Assembly° (18.12.817) and 20 pt Stem &amp; All-Thread Kit° (18.30.897)</p>



Note: Measurements are subject to cancellation. No responsibility is assumed for use of superseded or voided pages.