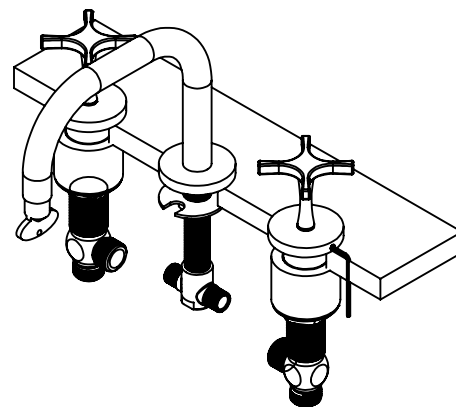
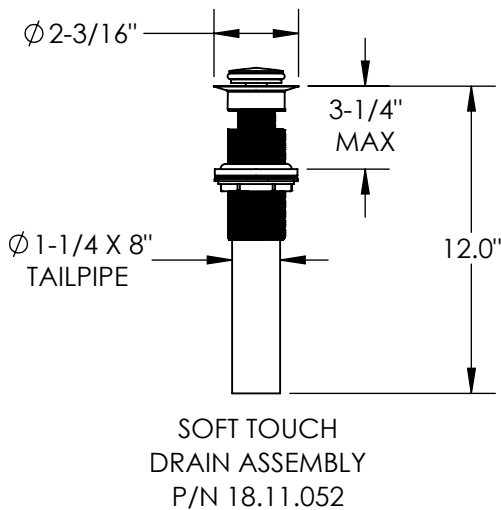
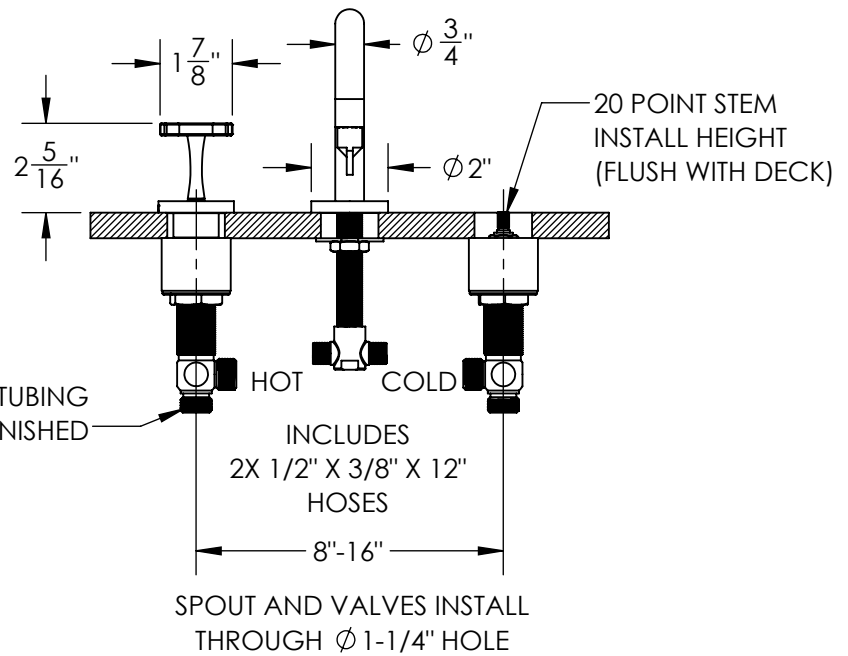
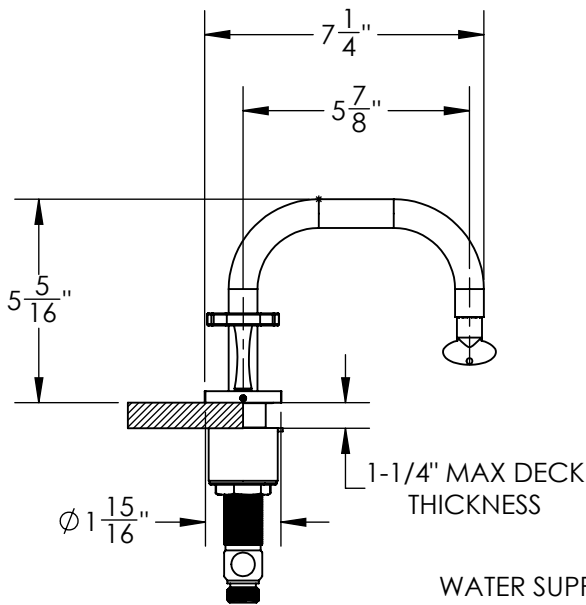
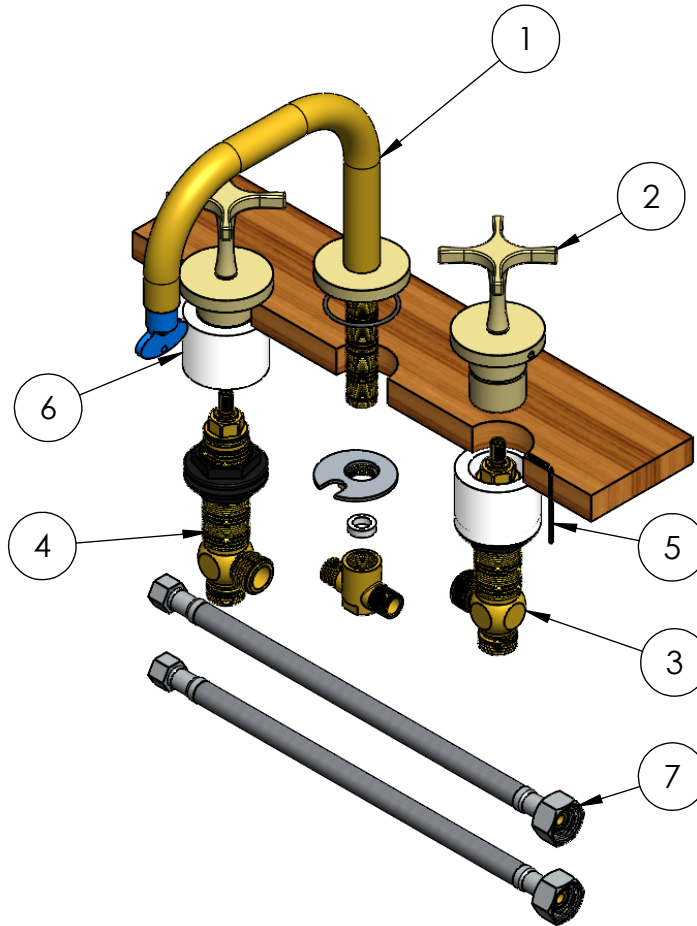


FEATURES:

- All brass construction
- Includes pop-up style drain assembly P/N 18.11.041
- 1/4-turn ceramic disc valve cartridge
- Standard aerator is limited to 1.2 GPM.
- Warranty varies according to finish selection
- Certified to meet or exceed the following codes and standards:
ASME A112.18.1/CSA B 125.1-2012



Note: Measurements are subject to change or cancellation. No responsibility is assumed for use of superseded or voided pages.



| ITEM NO. | PART NO. | Rev. | DESCRIPTION | QTY. | Make/Buy | ICC |
|----------|--------------|------|---|------|----------|-----|
| 1 | 18.07.630 | A | BENT LAV SPT WITH ROUND BASE ASSEM FOR 4X4 SERIES | 1 | B | Yes |
| 2 | 18.01.414 | B | SLIM CROSS HANDLE ROUND BASE - AR | 2 | B | No |
| 3 | 19.30.703ACA | - | 1/2IN LAV VALVE COLD 20PT | 1 | B | Yes |
| 4 | 19.30.704ACA | - | 1/2IN LAV VALVE HOT 20PT | 1 | B | Yes |
| 5 | 19.01.005 | - | ALLEN KEY, 5/64IN, S.A, H/K | 1 | B | No |
| 6 | 19.30.508 | A | SPACER SLEEVE FOR LOW PROFILE BASE RINGS | 2 | B | No |
| 7 | 19.07.215CA | - | 1/2" X 3/8" X 12" HOSE SS | 2 | B | Yes |

Note: Measurements are subject to change or cancellation. No responsibility is assumed for use of superseded or voided pages.