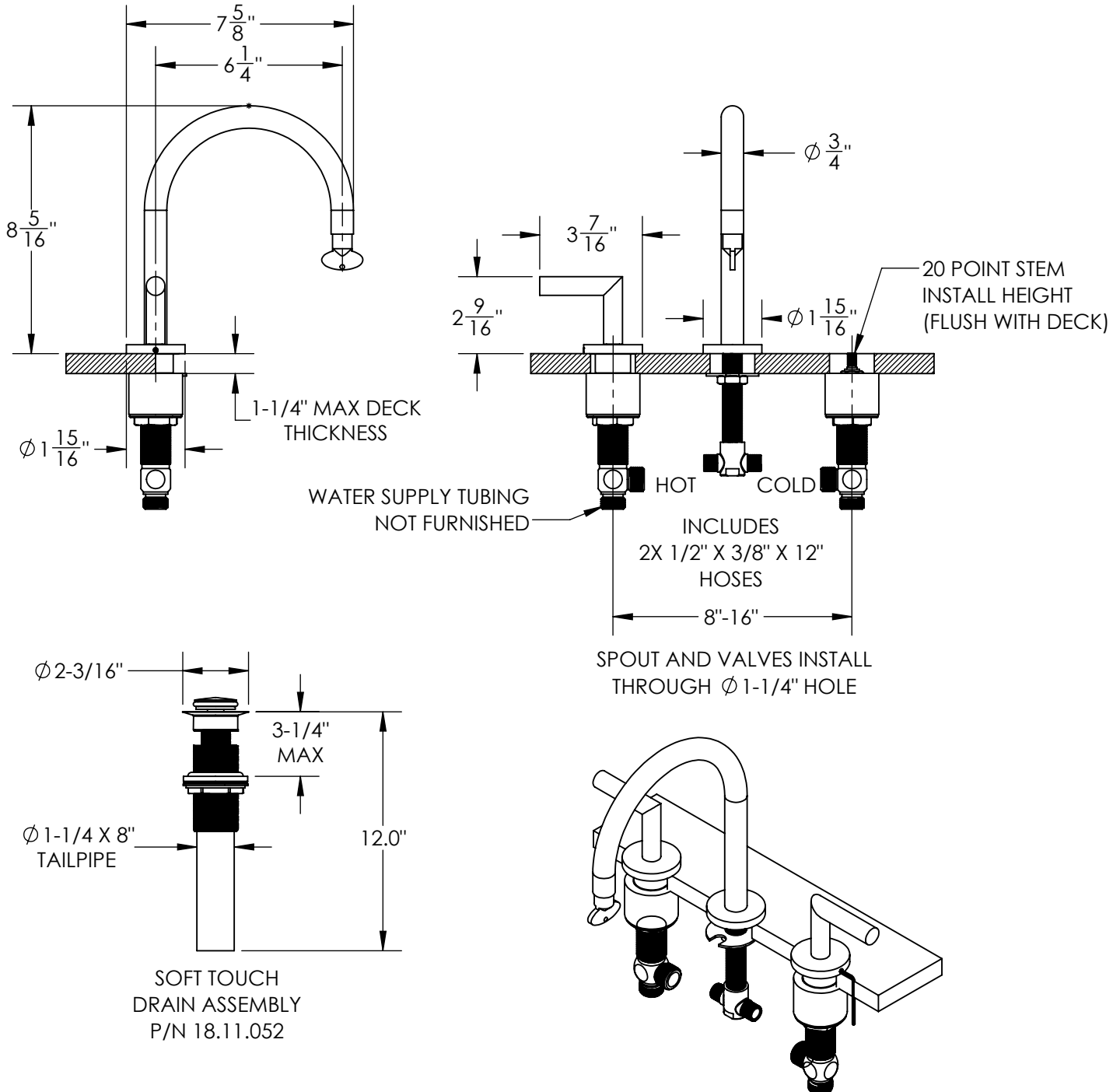
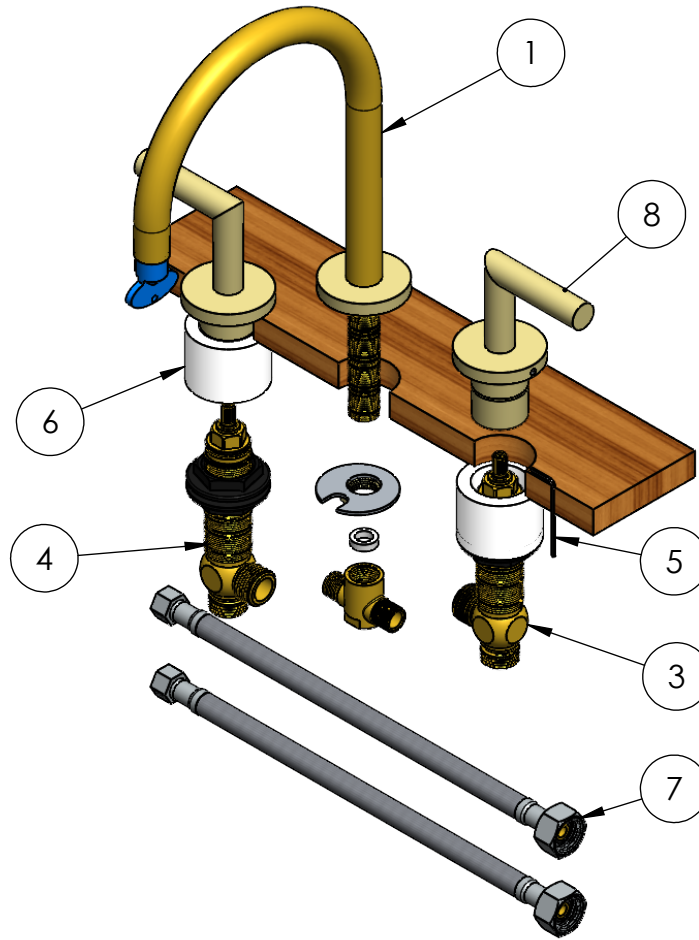


**FEATURES:**

- All brass construction
- Includes pop-up style drain assembly P/N 18.11.041
- 1/4-turn ceramic disc valve cartridge
- Standard aerator is limited to 1.2 GPM.
- Warranty varies according to finish selection
- Certified to meet or exceed the following codes and standards:  
ASME A112.18.1/CSA B 125.1-2012



Note: Measurements are subject to change or cancellation. No responsibility is assumed for use of superseded or voided pages.



| ITEM NO. | PART NO.     | Rev. | DESCRIPTION  | QTY. | Make/Buy | ICC |
|----------|--------------|------|--|------|----------|-----|
| 1        | 18.07.626    | C2   | ROUND LAV SPT WITH ROUND BASE ASSEM FOR 4X4 SERIES | 1    | B        | Yes |
| 3        | 19.30.703ACA | -    | 1/2IN LAV VALVE COLD 20PT                          | 1    | B        | Yes |
| 4        | 19.30.704ACA | -    | 1/2IN LAV VALVE HOT 20PT                           | 1    | B        | Yes |
| 5        | 19.01.005    | -    | ALLEN KEY, 5/64IN, S.A, H/K                        | 1    | B        | No  |
| 6        | 19.30.508    | A    | SPACER SLEEVE FOR LOW PROFILE BASE RINGS           | 2    | B        | No  |
| 7        | 19.07.215CA  | -    | 1/2" X 3/8" X 12" HOSE SS                          | 2    | B        | Yes |
| 8        | 18.01.411    | A    | 90 DEGREE HANDLE ROUND BASE - DR                   | 2    | B        | No  |

Note: Measurements are subject to change or cancellation. No responsibility is assumed for use of superseded or voided pages.