



# ENGINEERING EXCELLENCE

Legacy Series #4LG100TX

PARTS BREAKDOWN SHEET

### DESCRIPTION

- Single Handle Tub and Shower Trim Set
- Metal Lever Handle
- Stainless Steel Pressure Balancing Spool
- Four Function 3-3/8" Diameter Showerhead
- Shower Arm and Flange
- Combo 1/2" IPS/Slip-On Diverter Tub Spout

### FINISHES

- PC PVD Polished Chrome
- SS PVD Stainless Steel
- BN PVD Brushed Nickel
- PB PVD Polished Brass
- ORB Oil Rubbed Bronze



#4LG100TX SHOWN \* ADA 

### STANDARDS APPLICABLE

- ASME A112.18.1
- ANSI A117.1
- CUPC / IAPMO LISTED / ADA COMPLIANT

### FLOW

- Showerhead Limited to 2.5 GPM

Model #: \_\_\_\_\_

Specific Features: \_\_\_\_\_

Project Name: \_\_\_\_\_

Submitted For: \_\_\_\_\_

Model	Description	Finishes	
#4LG100TX	Single Handle Tub and Shower Trim Set	<input type="checkbox"/> PC	<input type="checkbox"/> Other___
#4LG400TX	Single Handle Valve Trim Set	<input type="checkbox"/> PC	<input type="checkbox"/> Other___
Required Valve			
#4010B	Single Handle Tub and Shower - Valve Set	<input type="checkbox"/> N/A	
#4011B	Single Handle Tub and Shower - Valve Set-Less Inlet Stops	<input type="checkbox"/> N/A	



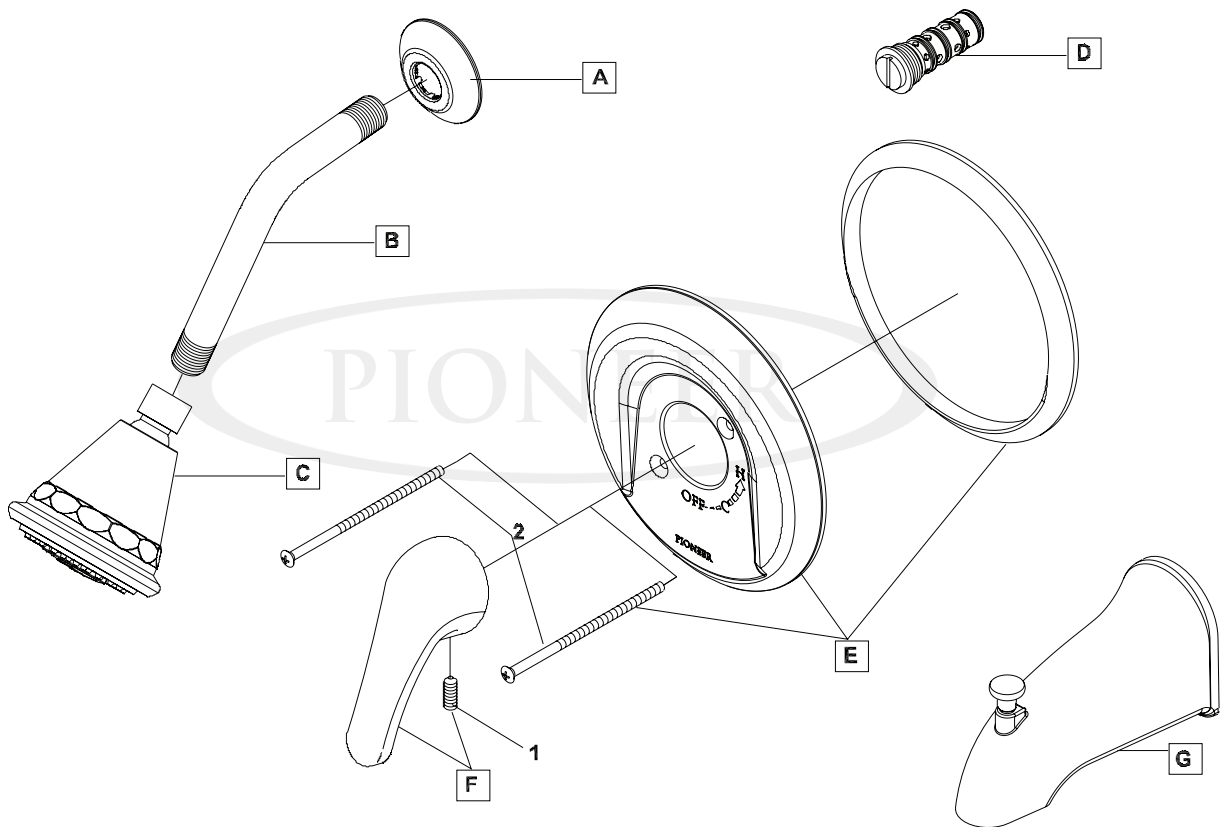
ENGINEERING EXCELLENCE

Pioneer:1-800-338-9468  
 Commerce, CA 90040  
 www.pioneerind.com  
 Pioneer Industries, Inc. © 2013

DMPB4LG100TX/REV. 12 2012  
 Page 1 of 2

	ITEM#	DESCRIPTION
A	X-6400003*	Legacy Shower Arm Flange
B	X-6400002*	Shower Arm
C	X-6400001*	Legacy Showerhead
D	X-4400005	Pressure Balance Spool
E	X-6400018*	Legacy Face Plate
F	X-1400001*	Legacy Lever Handle
G	X-6400023*	Legacy Diverter Tub Spout
1	X-4400001	Legacy Lever Handle Allen Screw
2	X-4400062*	Face Plate Screws

\* Note- Please specify finish/color code while ordering.



Product Diagram



ENGINEERING EXCELLENCE

Pioneer: 1-800-338-9468  
 Commerce, CA 90040  
 www.pioneerind.com  
 Pioneer Industries, Inc. © 2013