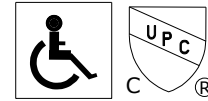


Features

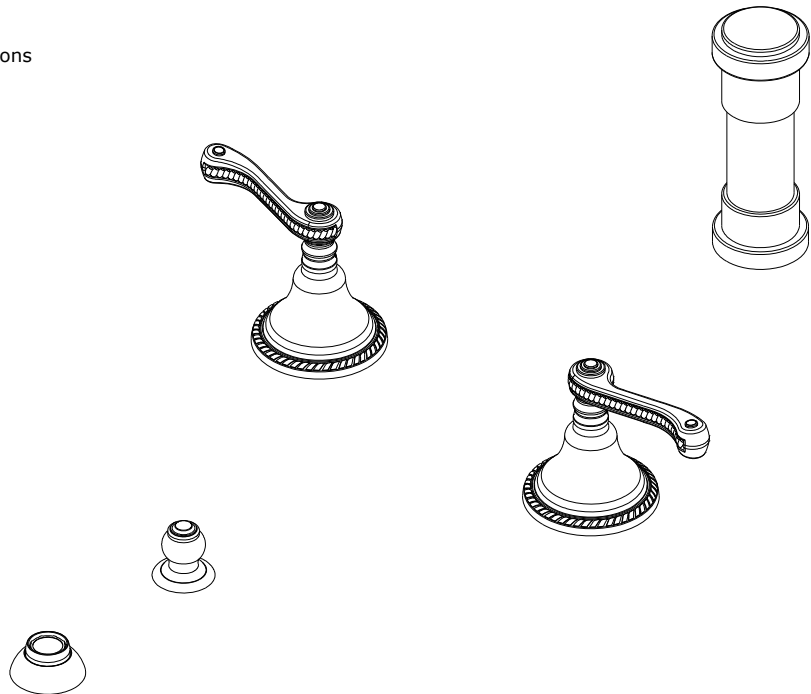
Solid brass construction
Brass valve bodies
Quarter-turn washerless ceramic disc valve cartridges
Lever handles
Basin-mounted aerated spray nozzle and pop-up drain with tailpiece
ADA Compliant



Codes / Standards Compliance

Meets or exceeds the following at date of manufacture:

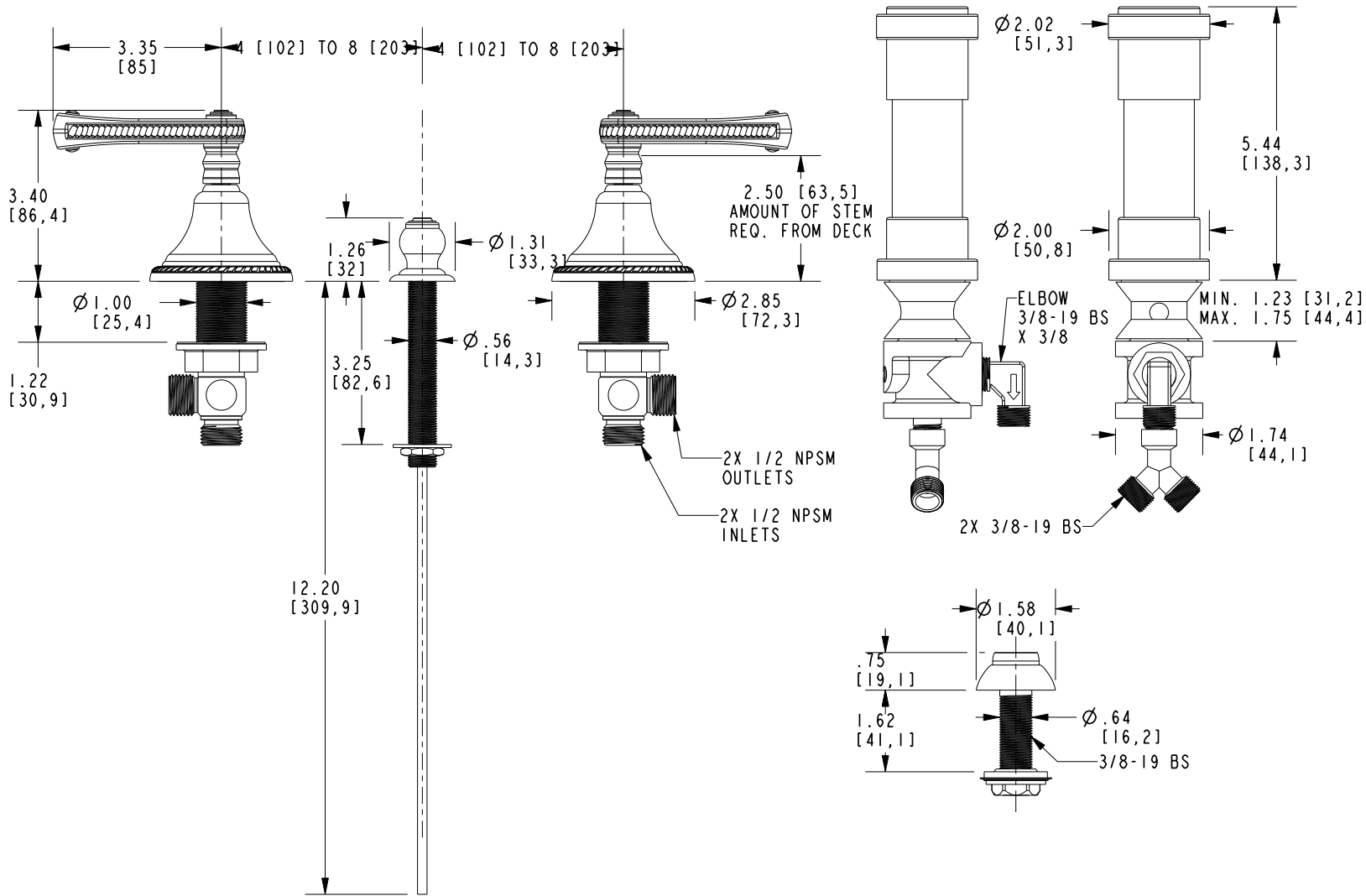
ASME A112.18.1/CSA B125.1
IAPMO/cUPC
IPC
ADA & ICC/ANSI A117.1
ASME A112.18.3 (Back Flow)
All applicable US Federal and State material regulations



989

PRODUCT DIMENSIONS *(Units are in inches)*

Product Dimensions are provided for reference only. For specific product installation guidelines, please reference the Installation Instructions of the product being installed.



BIDET FAUCET

989

Page 2 of 2
EN- 5013
REV D

NEWPORT BRASS
Flawless Beauty. From Faucet to Finish.

t: 949.417.5207 | www.newportbrass.com
©2025 NewportBrass