

CHESTERFIELD

Features

- Solid brass construction
- Bridge-style brass valve bodies
- Quarter-turn washerless ceramic disc valve cartridges
- Swivel spout assembly
- Solid brass pull-out sidespray assembly
- 8.99" (22.8 cm) spout height at outlet
- 7.12" (18.1 cm) min. to 9.00" (22.8 cm) max. spout reach (c-c)
- For 8.00" (20.3 cm) centers
- ADA Complaint (Handles Only)
- 1.8 GPM (6.8 LPM) Max

Bridge Style Kitchen Faucet with Sidespray

9460



Codes / Standards Compliance

Meets or exceeds the following at date of manufacture:

- ASME A112.18.1/CSA B125.1
- IAPMO/cUPC
- NSF/ANSI/CAN 61, SECTION 9
- NSF/ANSI 372
- IPC
- ADA & ICC/ANSI A117.1 (Handle Only)
- Energy Policy Act of 1992
- California Energy Commission
- ASME A112.18.3 (Back Flow)
- All applicable US Federal and State material regulations



Colors / Finishes

- 10B: Oil Rubbed Bronze
- 15: Polished Nickel
- 15S: Satin Nickel - PVD
- 26: Polished Chrome
- Other: Refer to the Newport Brass catalog for additional color/finish options.

Specified Model

Model	Description	Colors Finishes
9460	Bridge Style Kitchen Faucet with Sidespray	<input type="checkbox"/> 10B <input type="checkbox"/> 15 <input type="checkbox"/> 15S <input type="checkbox"/> 26 <input type="checkbox"/> Other

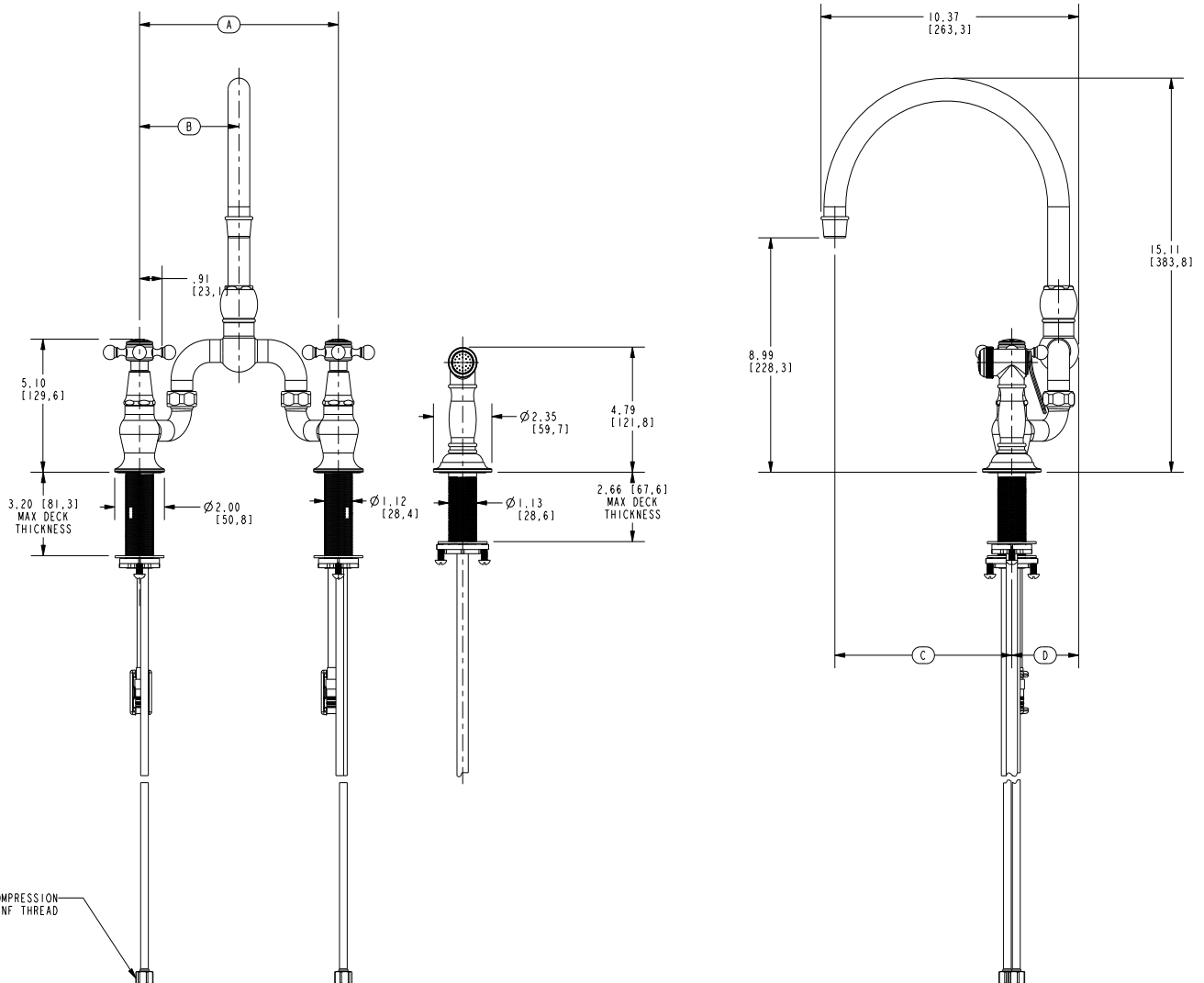
Product Specification Add "Color / Finish" suffix to Model number, below.

The Bridge Style Kitchen Faucet shall be made of solid brass construction. Faucet shall incorporate a swivel spout assembly with integral side-spray diverter assembly and feature bridge-style brass valve bodies with quarter-turn washerless ceramic disc valve cartridges. Faucet shall have a 1.8 gallons (6.8 liters) per minute maximum flow rate. Product shall be for 8.00" (20.3 cm) centers. Product shall incorporate a 8.99" (22.8 cm) spout height at outlet and an 7.12" (18.1 cm) min. to 9.00" (22.8 cm) max. spout reach (c-c). Faucet shall incorporate traditional cross handles. Bridge-Style Kitchen Faucet with Sidespray shall be Newport Brass Model 9460/_____.

9460

PRODUCT DIMENSIONS *(Units are in inches)*

Product Dimensions are provided for reference only. For specific product installation guidelines, please reference the Installation Instructions of the product being installed.



VARIABLE FAUCET SETUP			
A	B	C	D
8	4	7-1/8	2-11/16
9-11/16	4-13/16	9	13/16

Chesterfield Bridge Style Kitchen Faucet 9460