

CHESTERFIELD

SINGLE-HOLE LAVATORY FAUCET

Features

Solid brass construction
Forged brass body with integral spout and handles
Quarter-turn washerless ceramic disc valve cartridges
Spout assembly with integral supply hoses
Pop-up drain with tailpiece
5.23" (13,3 cm) spout height at outlet
6.95" (17,7 cm) spout reach (c-c)
For single hole configurations
ADA Compliant
1.2 GPM (4.5 LPM) Max

932



Codes / Standards Compliance

Meets or exceeds the following at date of manufacture:

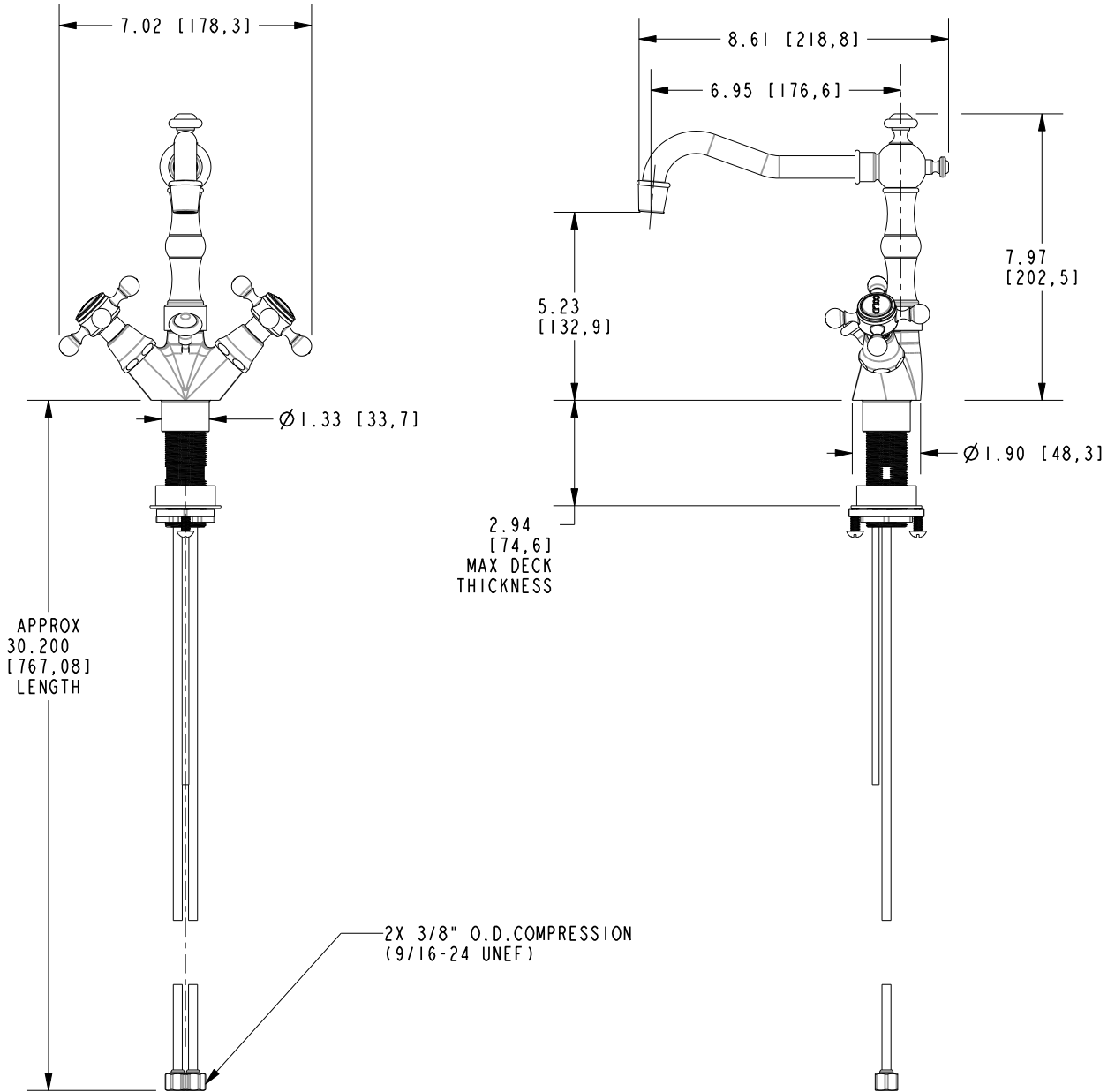
ASME A112.18.1/CSA B125.1
IAPMO/cUPC
NSF/ANSI/CAN 61, SECTION 9
NSF/ANSI 372
IPC
ADA & ICC/ANSI A117.1
Energy Policy Act of 1992
EPA WaterSense
California Energy Commission
All applicable US Federal and State material regulations



932

PRODUCT DIMENSIONS (Units are in inches)

Product Dimensions are provided for reference only. For specific product installation guidelines, please reference the Installation Instructions of the product being installed.



SINGLE-HOLE LAVATORY FAUCET

932

Page 2 of 2
EN- 4975
REV K

NEWPORT BRASS
Flawless Beauty. From Faucet to Finish.

t: 949.417.5207 | www.newportbrass.com
©2024 Brasstech, Inc.