

NEWPORT BRASS

CHESTERFIELD

SHOWER SLIDER KIT FOR GRAB BAR

930-0442

Features

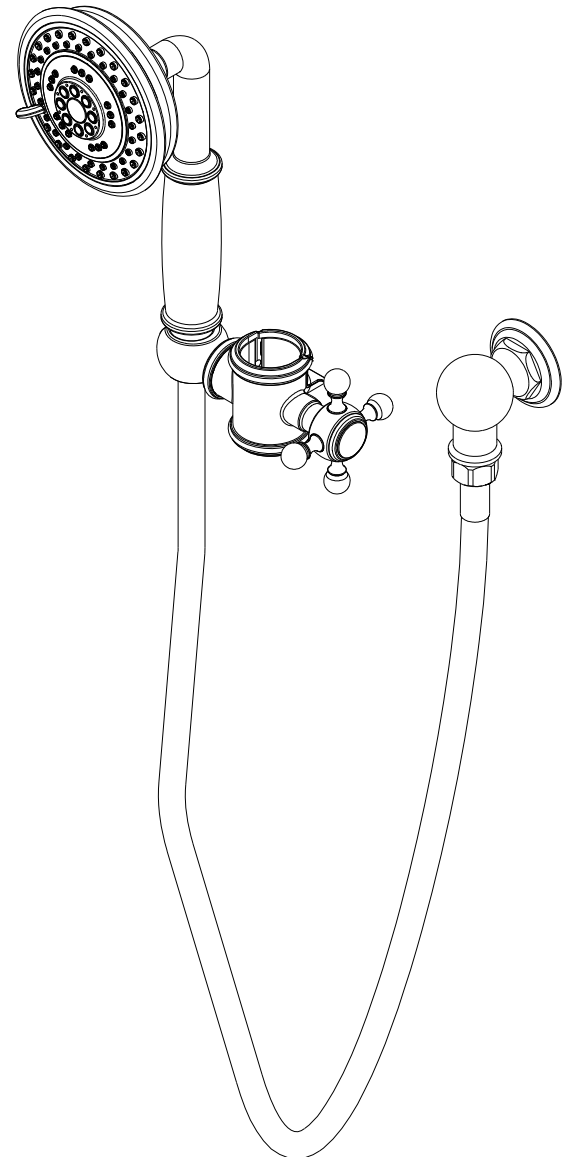
- Converts any ADA grab bars into Hand shower w/ Slidebar Set
- Compatible with all Newport Brass / Ginger Grab bars
- Fully adjustable (height and angle)
- Multi-function hand shower engine with 3 spray modes
- Rubber nozzles facilitate easy cleaning
- 59" [149.9 cm] spiral shower hose
- 1/2" NPT inlet elbow fitting
- 4" (10.2 cm) showerhead diameter
- 1.8 GPM (6.8 LPM) Max



Codes / Standards Compliance

Meets or exceeds the following at date of manufacture:

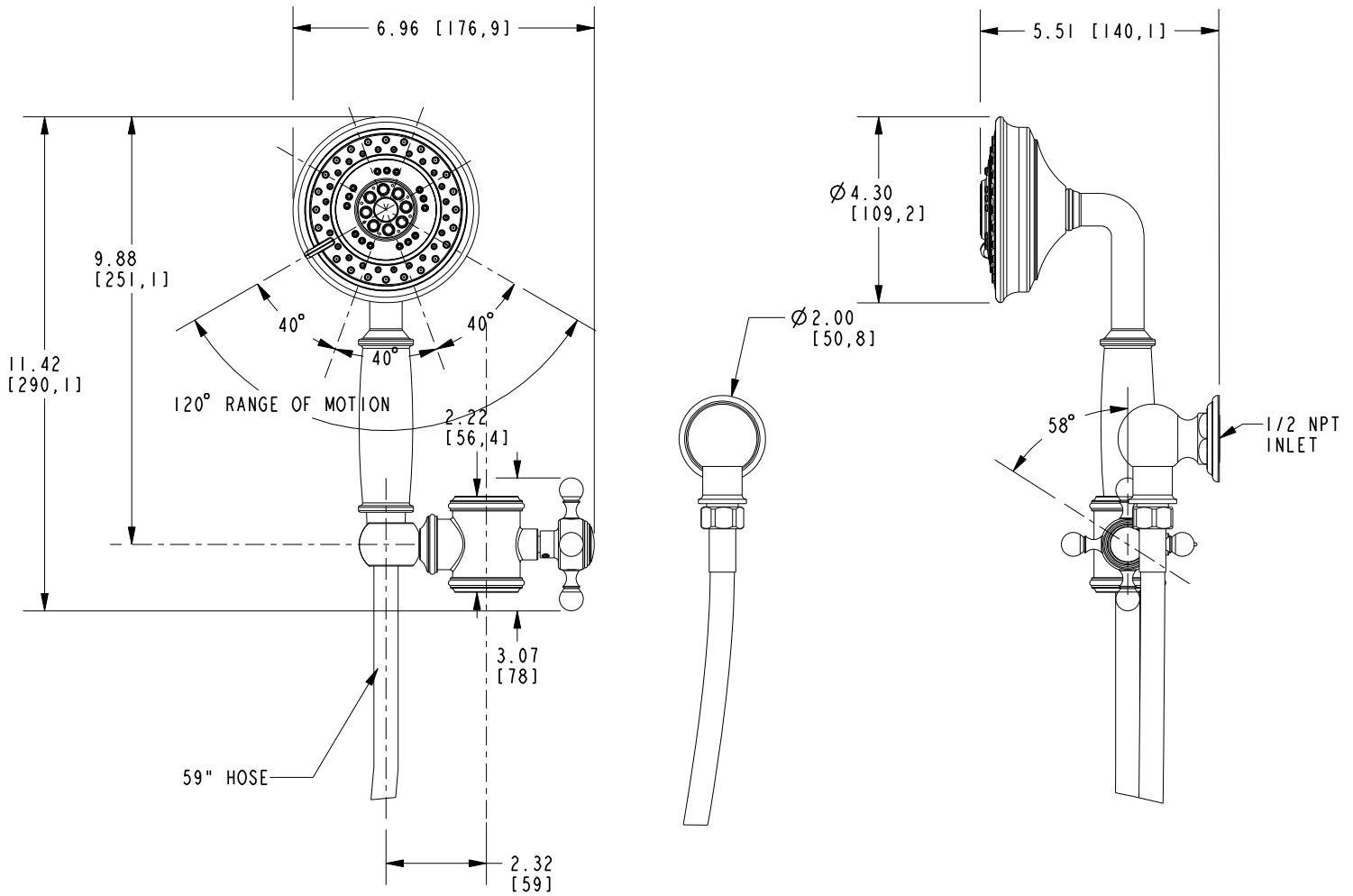
- ASME A112.18.1/CSA B125.1
- IAPMO/cUPC
- IPC
- Energy Policy Act of 1992
- EPA WaterSense
- California Energy Commission
- ASME A112.18.3 (Back Flow) - Double check valves at hand shower inlet
- All applicable US Federal and State material regulations



NEWPORT BRASS

PRODUCT DIMENSIONS *(Units are in inches)*

Product Dimensions are provided for reference only. For specific product installation guidelines, please reference the Installation Instructions of the product being installed.



SHOWER SLIDER KIT FOR GRAB BAR

930-0442