

## ASTOR

### Features

Solid brass construction  
Brass body with top-mounted handle  
Euro-motion ceramic disc 35 mm valve cartridge  
ADA compliant traditional lever handle  
Spout assembly with integral supply hoses  
7.44" (18.9 cm) spout height at outlet  
6.20" (15.7 cm) spout reach (c-c)  
For single hole configurations  
ADA Compliant  
1.2 GPM (4.5 LPM) Max

### VESSEL SINK / BAR FAUCET

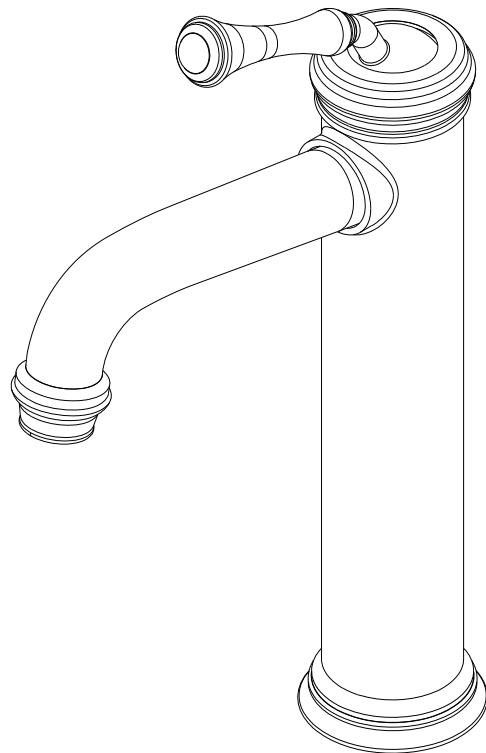
# 9208



### Codes / Standards Compliance

Meets or exceeds the following at date of manufacture:

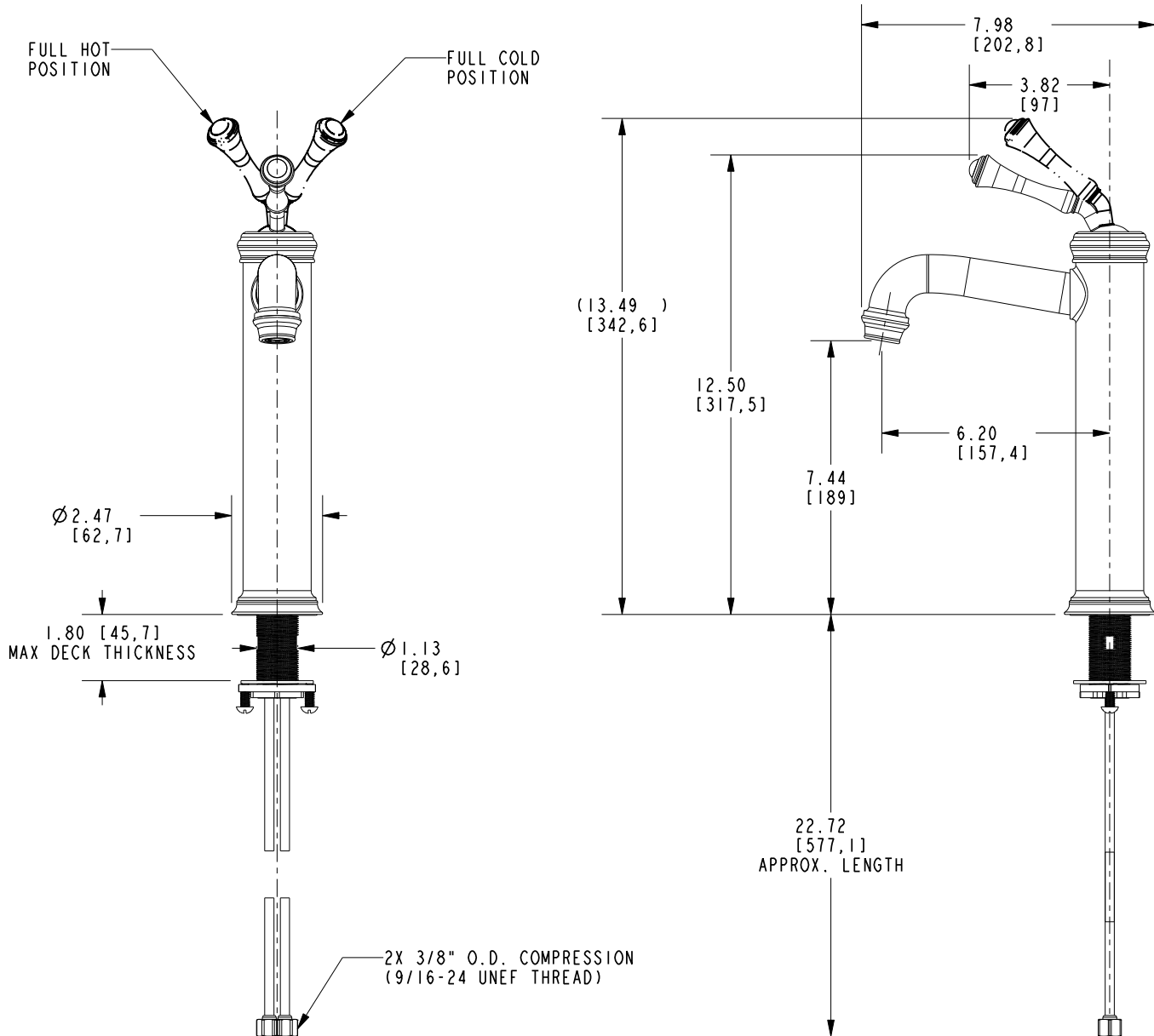
ASME A112.18.1/CSA B125.1  
IAPMO/cUPC  
NSF/ANSI/CAN 61, SECTION 9  
NSF/ANSI 372  
IPC  
ADA & ICC/ANSI A117.1  
Energy Policy Act of 1992  
EPA WaterSense  
California Energy Commission  
All applicable US Federal and State material regulations



# 9208

## PRODUCT DIMENSIONS *(Units are in inches)*

Product Dimensions are provided for reference only. For specific product installation guidelines, please reference the Installation Instructions of the product being installed.



VESSEL SINK / BAR FAUCET

9208

Page 2 of 2  
EN- 4816  
REVL

**NEWPORT BRASS**  
Flawless Beauty. From Faucet to Finish.

t: 949.417.5207 | www.newportbrass.com  
©2025 NewportBrass