

### Features

Solid brass construction  
Quarter-turn washerless ceramic disc valve cartridges  
3/4" NPT hot and cold inlet fittings  
9.11" (23.1 cm) tub spout reach from inlet fittings (c-c)  
2.08" (5.3 cm) handshower diameter  
For deck-mounted configurations  
ADA Compliant (Handles Only)  
1.8 GPM (6.8 LPM) Max, Handshower Only

### TUB AND HANDSHOWER SET

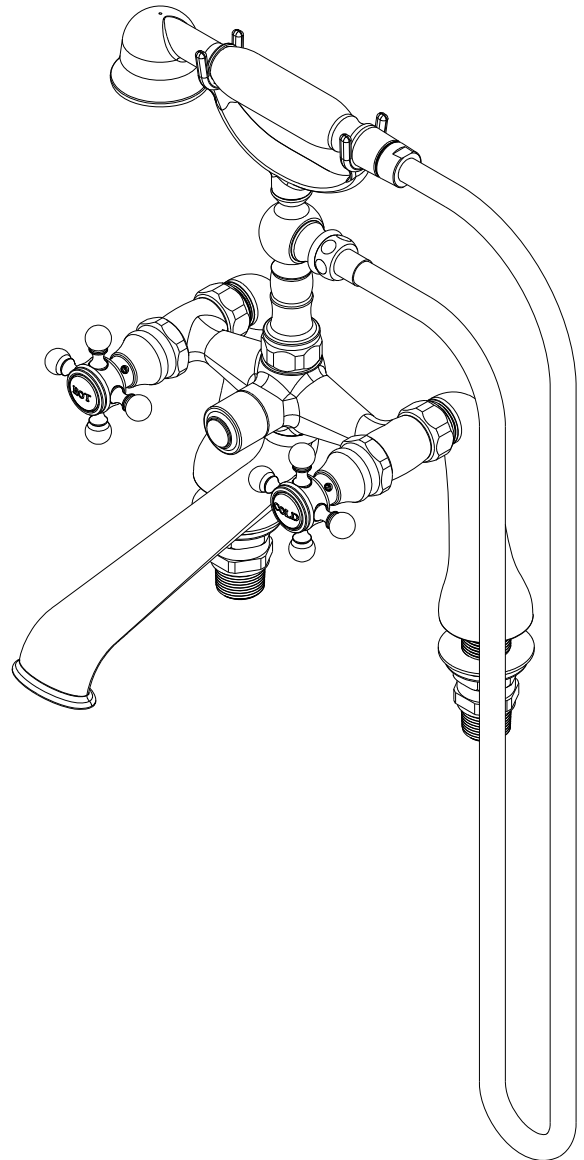
# 920-4272



### Codes / Standards Compliance

Meets or exceeds the following at date of manufacture:

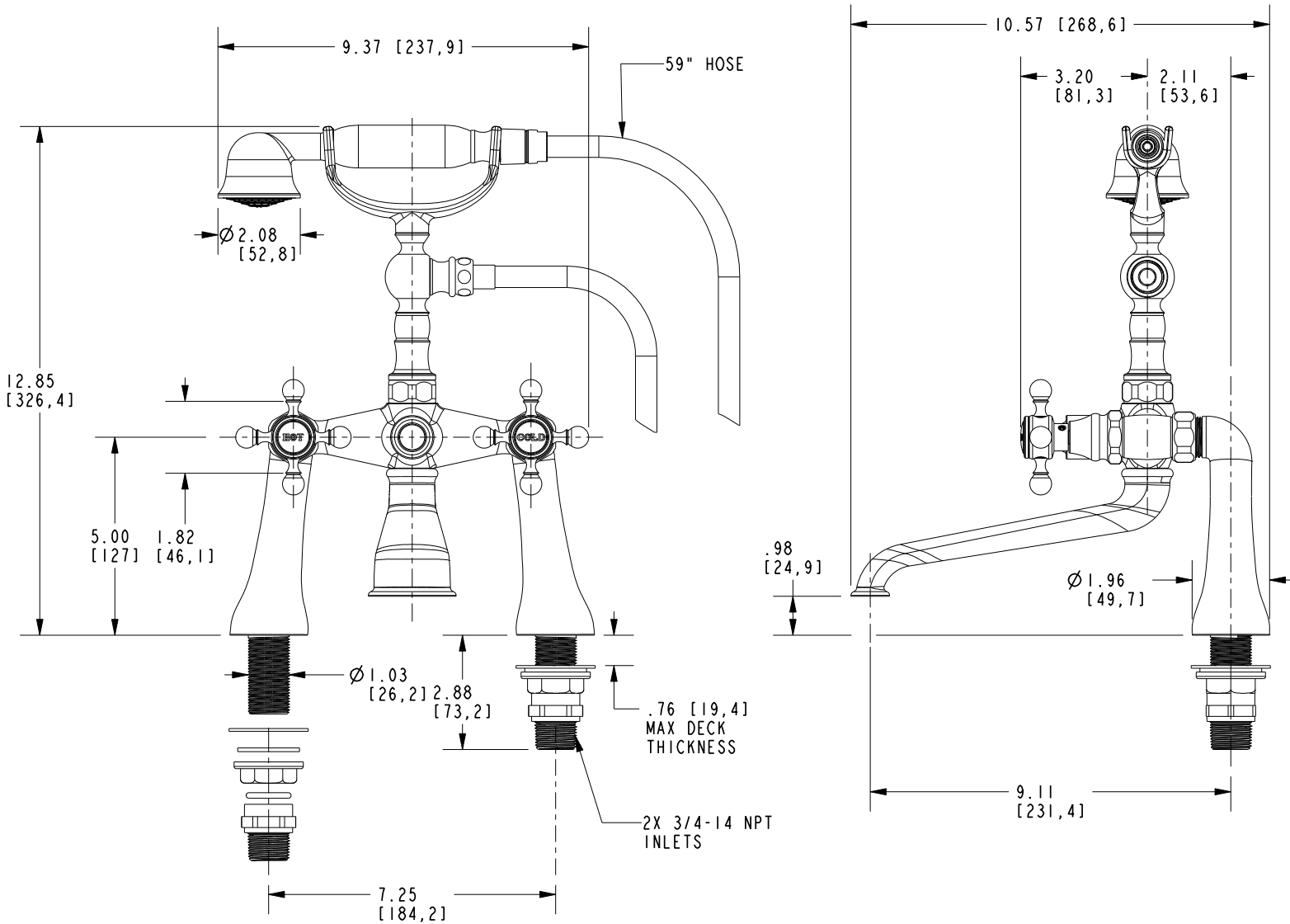
ASME A112.18.1/CSA B125.1  
IAPMO/cUPC  
IPC  
ADA & ICC/ANSI A117.1 (Handle Only)  
Energy Policy Act of 1992  
EPA WaterSense  
California Energy Commission  
ASME A112.18.3 (Back Flow)  
All applicable US Federal and State material regulations



# 920-4272

## PRODUCT DIMENSIONS (Units are in inches)

Product Dimensions are provided for reference only. For specific product installation guidelines, please reference the Installation Instructions of the product being installed.



TUB AND HANDSHOWER SET

920-4272

Page 2 of 2

EN- 5011

REV F

**NEWPORT BRASS**  
Flawless Beauty. From Faucet to Finish.

t: 949.417.5207 | [www.newportbrass.com](http://www.newportbrass.com)  
©2025 NewportBrass