

Features

Solid brass construction
 Quarter-turn washerless ceramic disc valve cartridges
 3/4" NPT hot and cold inlet fittings
 8.65" (22.0 cm) to 10.12" (25.7 cm) tub spout reach (wall-center)
 2.08" (5.3 cm) handshower diameter
 For wall mounted configurations, all is included
 "For floor mounted configurations, select optional accessories, below"
 ADA Compliant (Handles Only)
 1.8 GPM (6.8 LPM) Max, Handshower Only

TUB AND HANDSHOWER SET

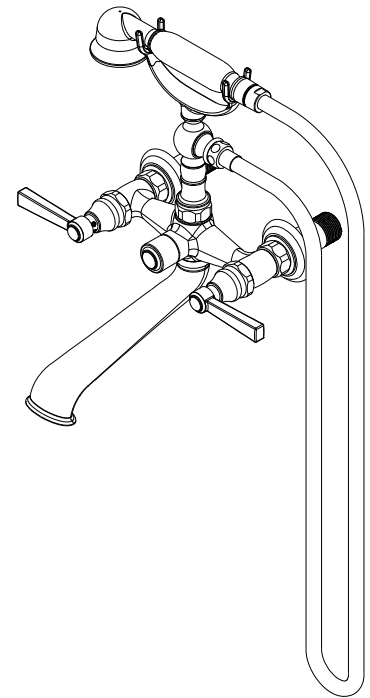
910-4283



Codes / Standards Compliance

Meets or exceeds the following at date of manufacture:

ASME A112.18.1/CSA B125.1
 IAPMO/cUPC
 IPC
 ADA & ICC/ANSI A117.1 (Handle Only)
 Energy Policy Act of 1992
 EPA WaterSense
 California Energy Commission
 ASME A112.18.3 (Back Flow)
 All applicable US Federal and State material regulations



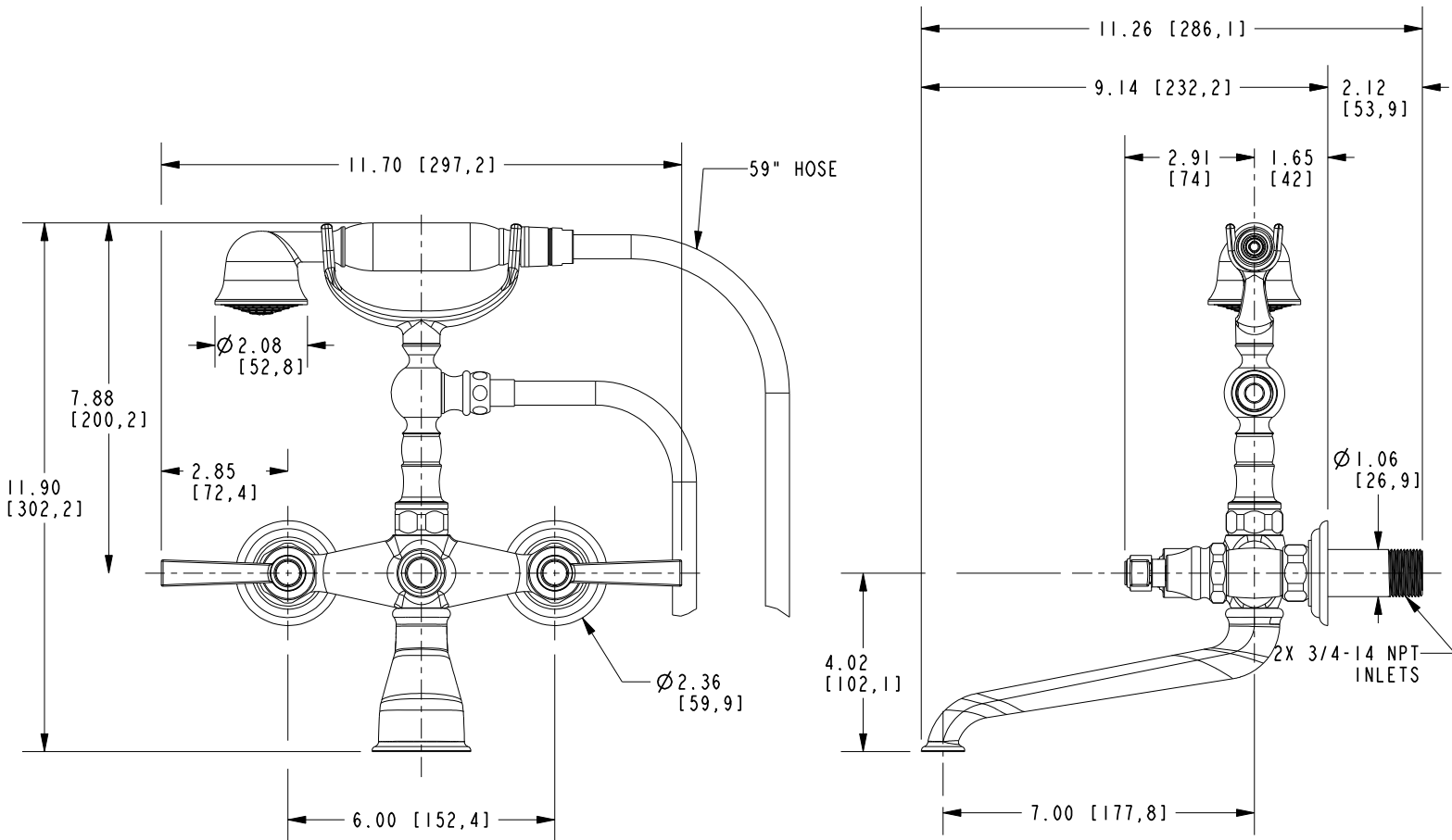
Optional Accessory:

System Element	31" Risers	24" Risers	Pair, Hot & Cold	Stabilizer
Description	Floor Mounting Kit	Floor Mounting Kit	Shut-off Valve Set	Tub Stabilizer Kit
Inlet/Outlet Size	3/4" / 3/4" NPT	3/4" / 3/4" NPT	3/4" / 3/4" NPT	-
Part Number	3-196	3-226	3-192	2-734
Image				

910-4283

PRODUCT DIMENSIONS *(Units are in inches)*

Product Dimensions are provided for reference only. For specific product installation guidelines, please reference the Installation Instructions of the product being installed.



TUB AND HANDSHOWER SET

910-4283

Page 2 of 2

EN- 5011

REV E

NEWPORT BRASS
Flawless Beauty. From Faucet to Finish.

t: 949.417.5207 | www.newportbrass.com
©2025 NewportBrass