

Features

Solid brass construction
Quarter-turn washerless ceramic disc valve cartridges
3/4" NPT hot and cold inlet fittings
9.11" (23.1 cm) tub spout reach from inlet fittings (c-c)
2.08" (5.3 cm) handshower diameter
For deck-mounted configurations
ADA Compliant (Handles Only)
1.8 GPM (6.8 LPM) Max, Handshower Only

TUB AND HANDSHOWER SET

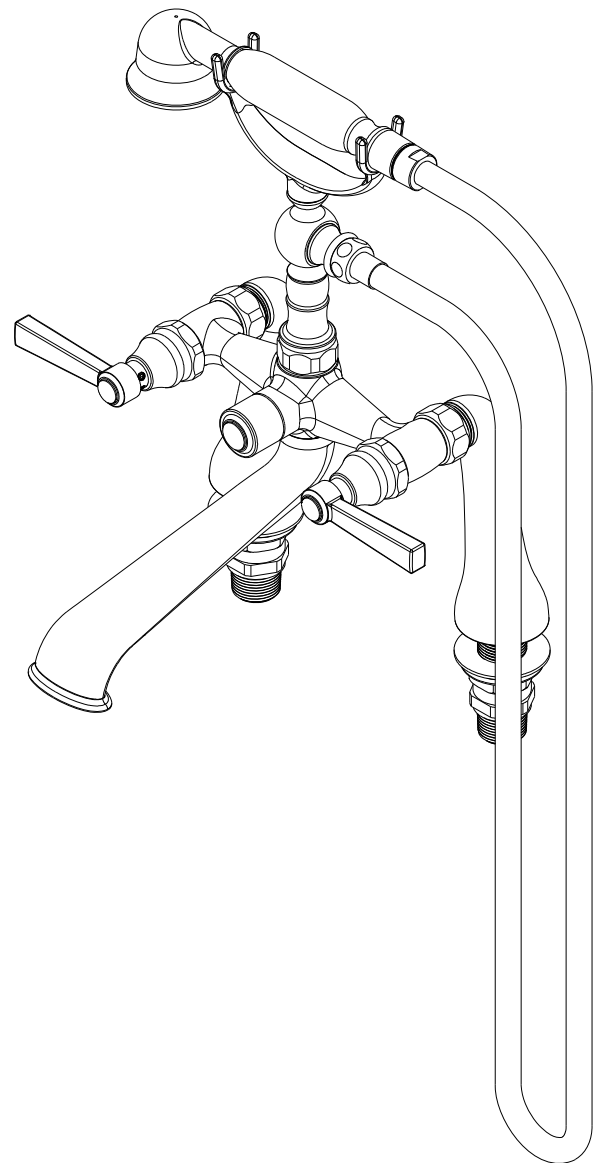
910-4273



Codes / Standards Compliance

Meets or exceeds the following at date of manufacture:

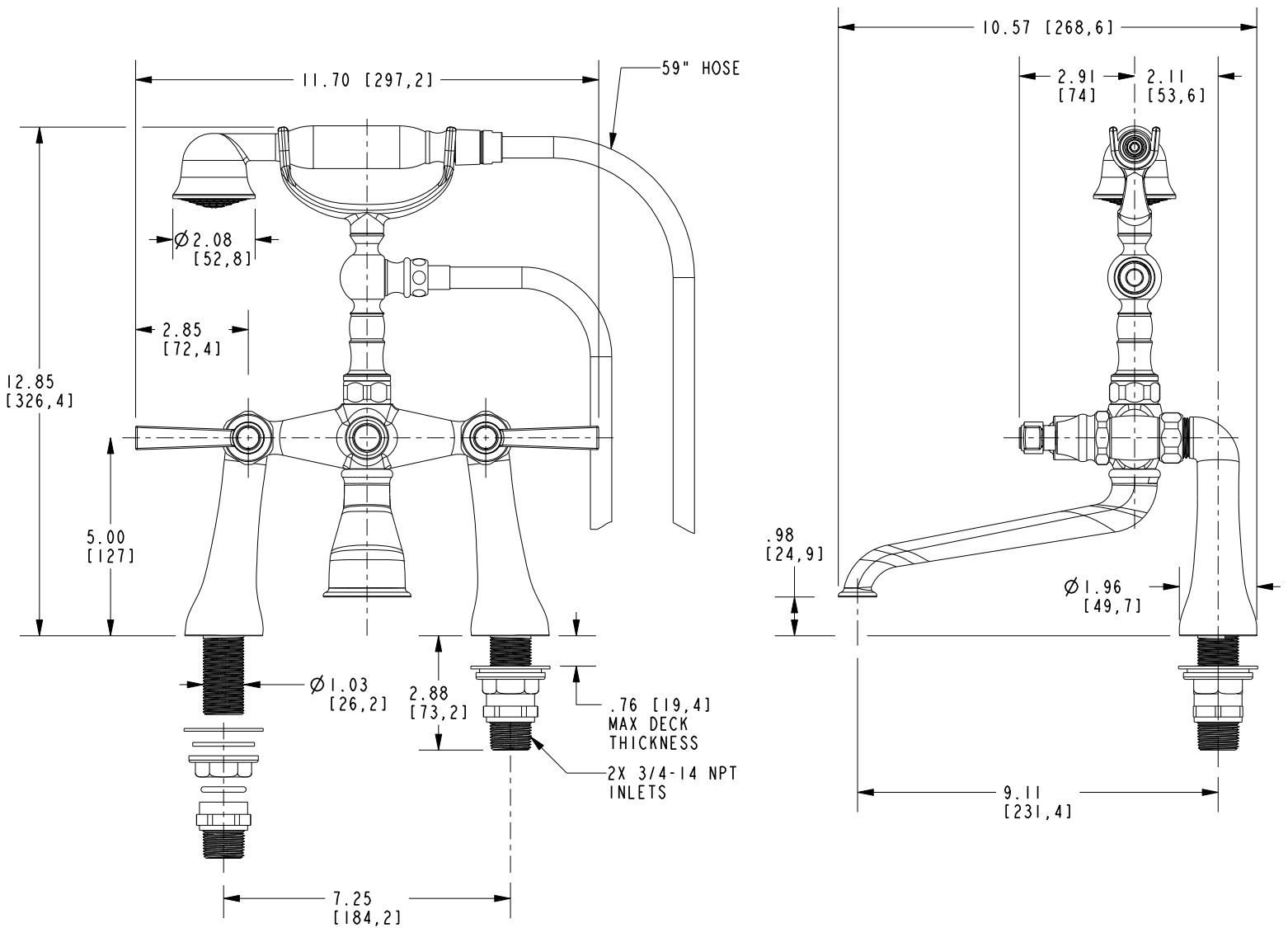
ASME A112.18.1/CSA B125.1
IAPMO/cUPC
IPC
ADA & ICC/ANSI A117.1 (Handle Only)
Energy Policy Act of 1992
EPA WaterSense
California Energy Commission
ASME A112.18.3 (Back Flow)
All applicable US Federal and State material regulations



910-4273

PRODUCT DIMENSIONS *(Units are in inches)*

Product Dimensions are provided for reference only. For specific product installation guidelines, please reference the Installation Instructions of the product being installed.



TUB AND HANDSHOWER SET

910-4273

Page 2 of 2

EN- 5011

REV F

NEWPORT BRASS

Flawless Beauty. From Faucet to Finish.

t: 949.417.5207 | www.newportbrass.com

©2025 NewportBrass