

ALVESTON

TOWEL RING

Features

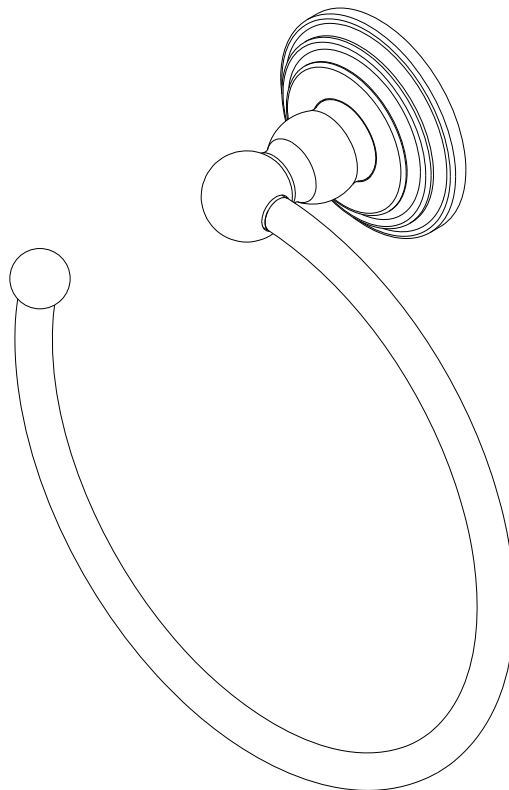
Solid brass construction
Single-post, horizontal pivot design with hanging, closed ring
Complements Alveston product series

890-1400

Codes / Standards Compliance

Meets or exceeds the following at date of manufacture:

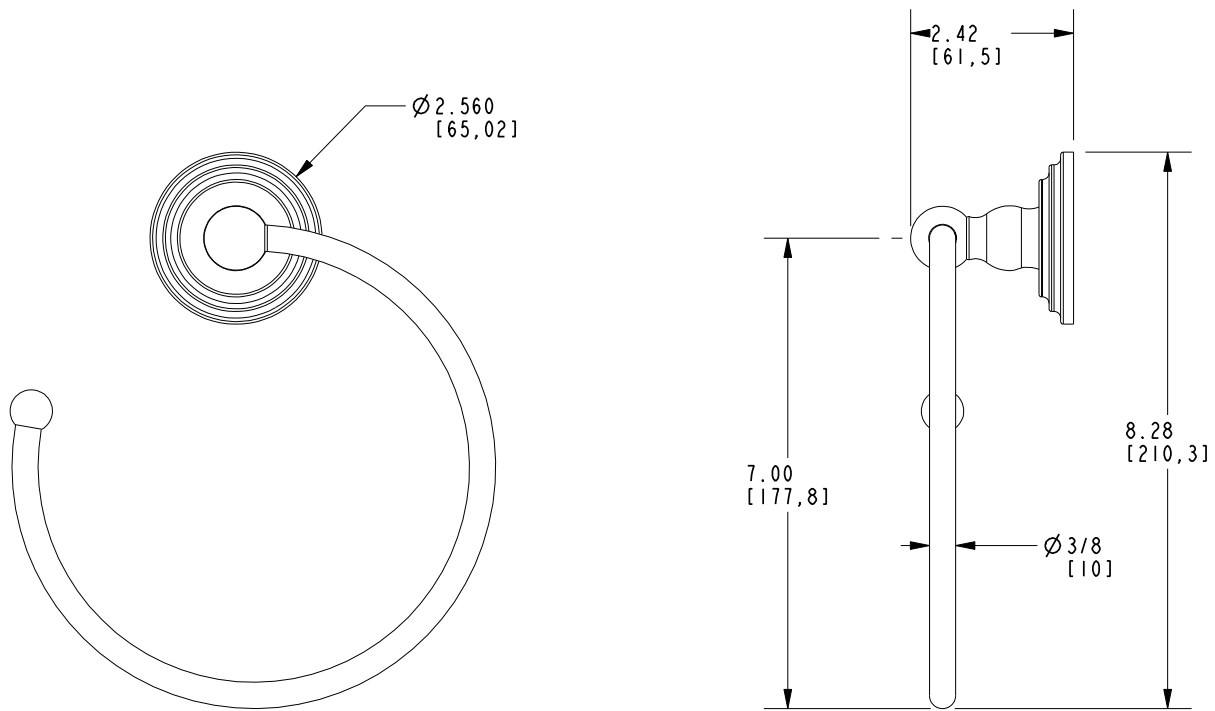
All applicable US Federal and State material regulations



890-1400

PRODUCT DIMENSIONS *(Units are in inches)*

Product Dimensions are provided for reference only. For specific product installation guidelines, please reference the Installation Instructions of the product being installed.



TOWEL RING
890-1400

Page 2 of 2
EN- 5016
REVA

NEWPORT BRASS
Flawless Beauty. From Faucet to Finish.

t: 949.417.5207 | www.newportbrass.com
©2025 NewportBrass