

# SEAPORT

## Features

- Solid brass construction
- Forged brass body with integral rotating spout and handles
- Quarter-turn washerless ceramic disc valve cartridges
- ADA compliant traditional lever handles
- Rotating spout assembly with integral supply hoses
- 7.52" (19.1 cm) spout height at outlet
- 5.27" (13.4 cm) spout reach (c-c)
- For 4" (10.2 cm) centers
- ADA Compliant
- 1.8 GPM (6.8 LPM) Max

## Centerset Prep Sink / Bar Faucet

# 808



## Codes / Standards Compliance

Meets or exceeds the following at date of manufacture:

- ASME A112.18.1/CSA B125.1
- IAPMO/cUPC
- NSF/ANSI 61, SECTION 9
- NSF/ANSI 372
- IPC
- ADA & ICC/ANSI A117.1
- Energy Policy Act of 1992
- California Energy Commission
- All applicable US Federal and State material regulations



## Colors / Finishes

- 10B: Oil Rubbed Bronze
- 15: Polished Nickel
- 15S: Satin Nickel - PVD
- 26: Polished Chrome
- Other: Refer to the Newport Brass catalog for additional color/finish options.

## Specified Model

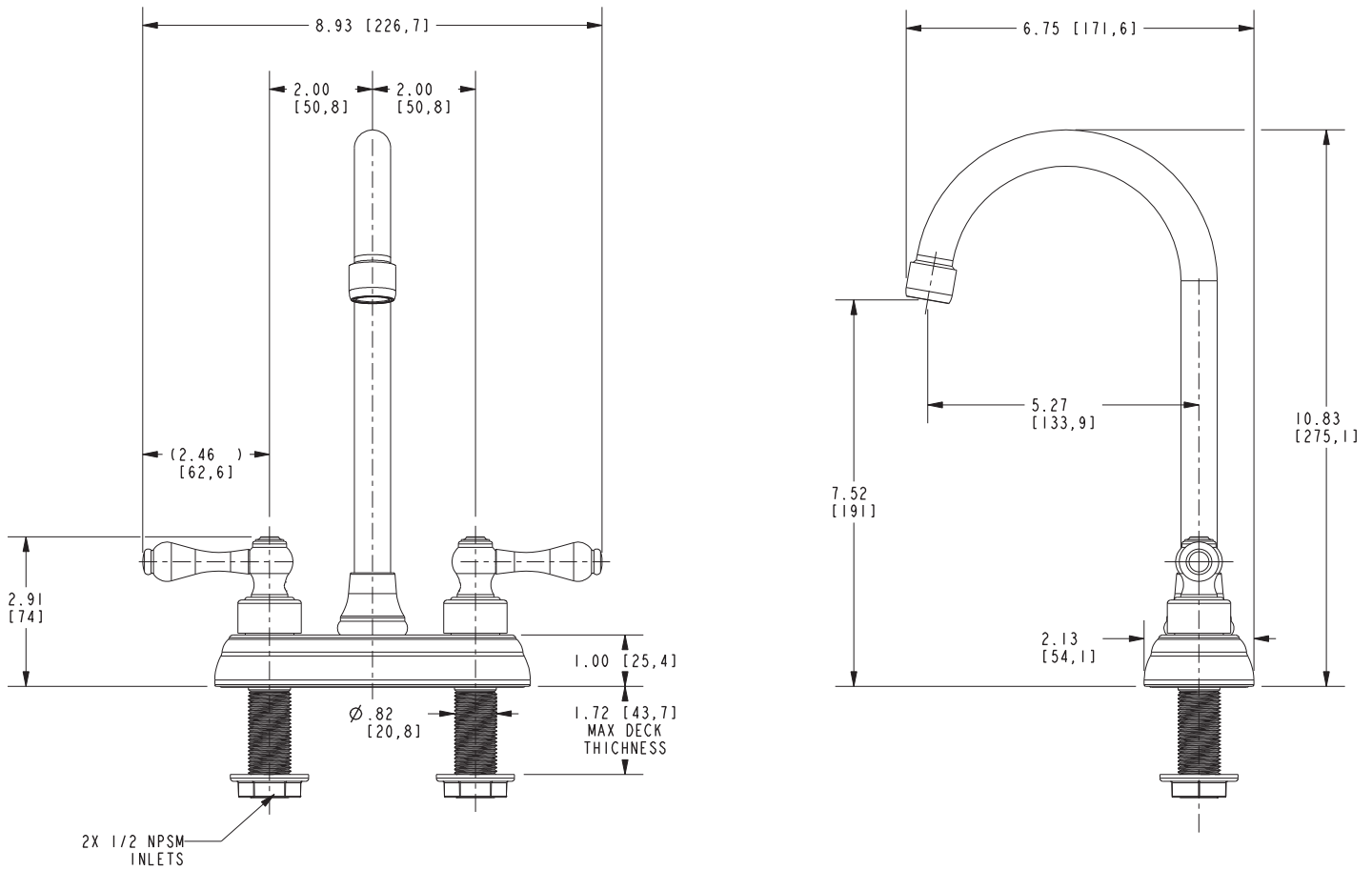
Model	Description	Colors   Finishes
808	Centerset Prep Sink / Bar Faucet	<input type="checkbox"/> 10B <input type="checkbox"/> 15 <input type="checkbox"/> 15S <input type="checkbox"/> 26 <input type="checkbox"/> Other

## Product Specification Add "Color / Finish" suffix to Model number, below.

The Centerset Prep Sink / Bar Faucet shall be made of solid brass construction. Faucet shall feature a forged brass body incorporating quarter-turn washerless ceramic disc valve cartridges. Faucet shall have a 1.8 gallon (6.8 liter) per minute maximum flow rate. Product shall be for 4" (10.2 cm) centers. Product shall incorporate a 7.52" (19.1 cm) spout height at outlet and a 5.27" (13.4 cm) spout reach (c-c). Faucet shall incorporate ADA compliant traditional lever handles. Centerset Prep Sink / Bar Faucet shall be Newport Brass Model 808/\_\_\_\_.

# 808

## PRODUCT DIMENSIONS *(Units are in inches)*



### Seaport Centerset Prep Sink / Bar Faucet 808