

**Features**

- Solid brass construction
- Face plate with diverter pull-knob and ADA compliant traditional cross handle
- ADA compliant traditional cross handle assembly and insert options for control valve
- Intended for use with Newport Brass rough valve(s) as specified (Required Accessory)
- ADA Complaint (Handles Only)

**Tub and Shower Trim  
(less tub spout, showerhead, arm & flange)**

**5-2572BP**

**Also 20-113**

**Codes / Standards Compliance**

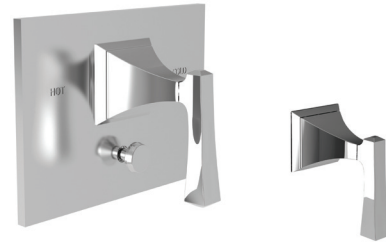
Meets or exceeds the following at date of manufacture:

- ASME A112.18.1/CSA B125.1
- IAPMO/cUPC
- IPC
- ADA & ICC/ANSI A117.1 (Handle Only)
- All applicable US Federal and State material regulations



**Colors / Finishes**

- 10B: Oil Rubbed Bronze
- 15: Polished Nickel
- 15S: Satin Nickel - PVD
- 26: Polished Chrome
- Other: Refer to the Newport Brass catalog for additional color/finish options.



5-2572BP

20-113

**Specified Model**

Model	Description	Colors   Finishes				
5-2572BP	Tub and Shower Trim (less tub spout, showerhead, arm & flange)	<input type="checkbox"/> 10B	<input type="checkbox"/> 15	<input type="checkbox"/> 15S	<input type="checkbox"/> 26	<input type="checkbox"/> Other
20-113	Shower System Control Valve Trim (Escutcheon/Handle)	<input type="checkbox"/> 10B	<input type="checkbox"/> 15	<input type="checkbox"/> 15S	<input type="checkbox"/> 26	<input type="checkbox"/> Other

**Required Accessory:**

System Element	Tub & Shower Valve	Control Valve (Optional)
<b>Description</b>	BP Valve	3-Outlet Diverter
<b>Inlet/Outlet Size</b>	1/2"	1/2"
<b>Part Number</b>	<input type="checkbox"/> 1-685	<input type="checkbox"/> 1-703
<b>Image</b>		

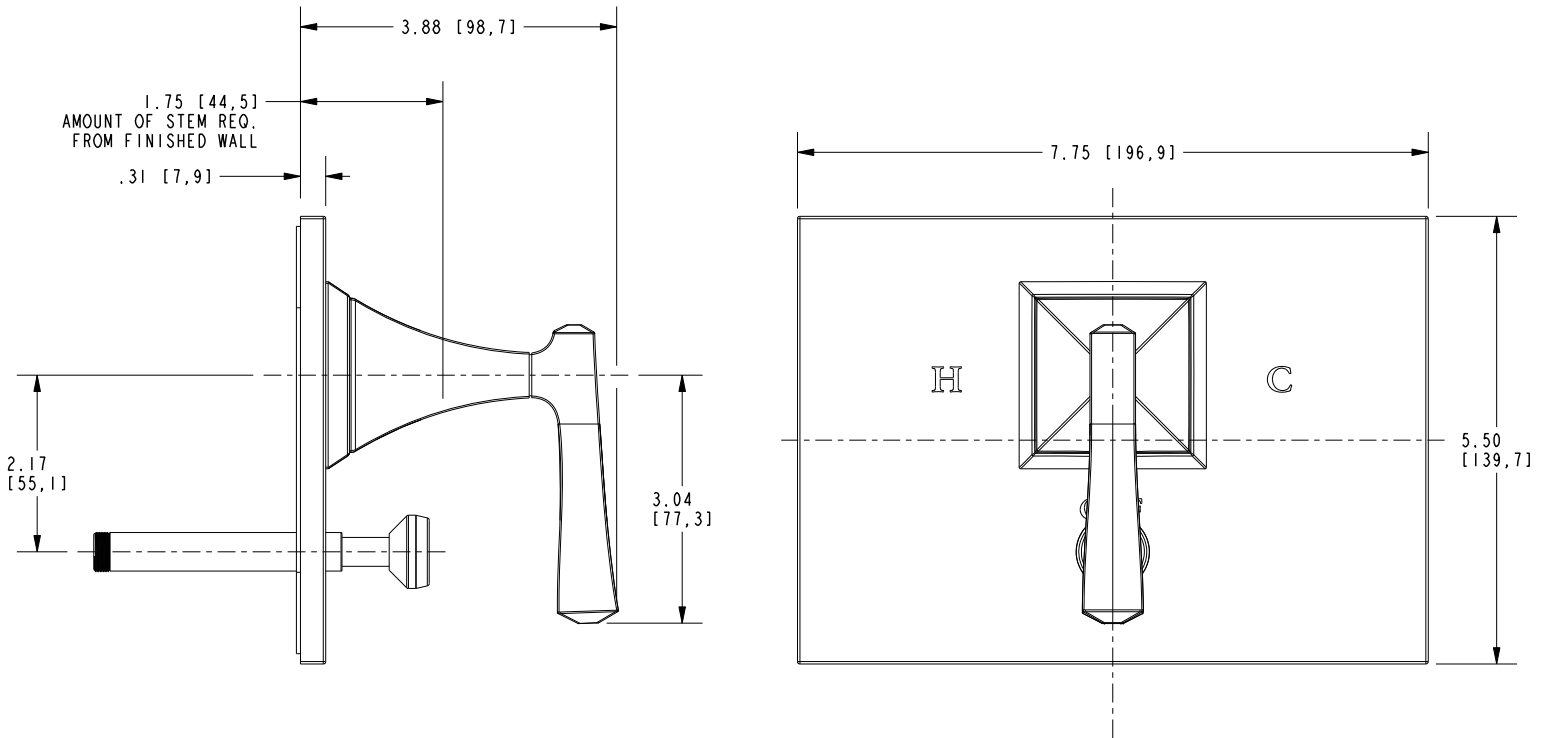
**Product Specification:** Add size designator and "Color / Finish" suffix to Model number, below.

The single-control Tub and Shower Trim (less tub spout, showerhead, arm & flange) shall be made of solid brass construction. Tub and Shower Trim shall include faceplate with diverter pull-knob and ADA compliant handle and diverter pull-knob. Shower System Control Valve Trim(s) (Escutcheon/Handle) shall be ADA compliant when used with specified Shower System Control Valve. Tub and Shower Trim (less tub spout, showerhead, arm & flange) shall be Newport Brass Model 5-2572BP/\_\_\_\_ and single-control Tub and Shower rough valve shall be Newport Brass Model 1-685. [Optional Shower System Control Valve Trim (Escutcheon/Handle) shall be 20-113/\_\_\_\_ and Shower System Control Valve shall be 1-703].

# 5-2572BP

## PRODUCT DIMENSIONS *(Units are in inches)*

Product Dimensions are provided for reference only. For specific product installation guidelines, please reference the Installation Instructions of the product being installed.



### Joffrey Tub and Shower Trim 5-2572BP