

## DORRANCE

### Features

---

Solid brass construction  
Single-post, open roller design  
Complements Dorrance product series

TOILET TISSUE HOLDER

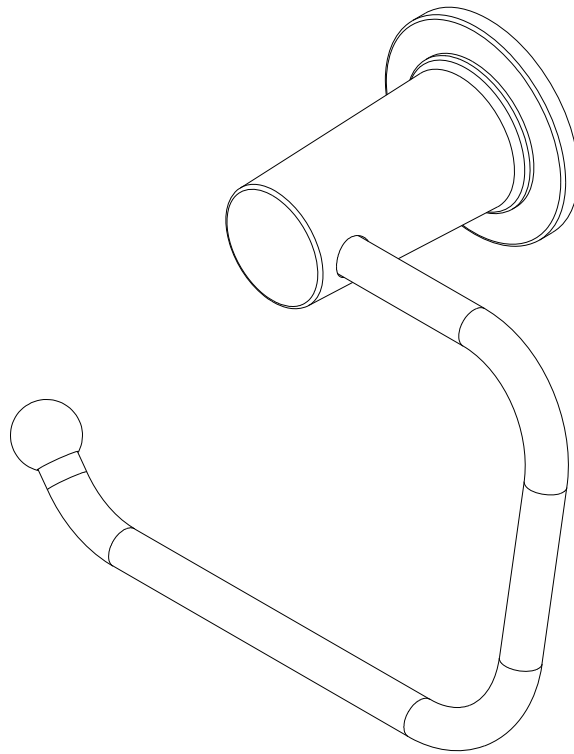
# 42-27

### Codes / Standards Compliance

Meets or exceeds the following at date of manufacture:

---

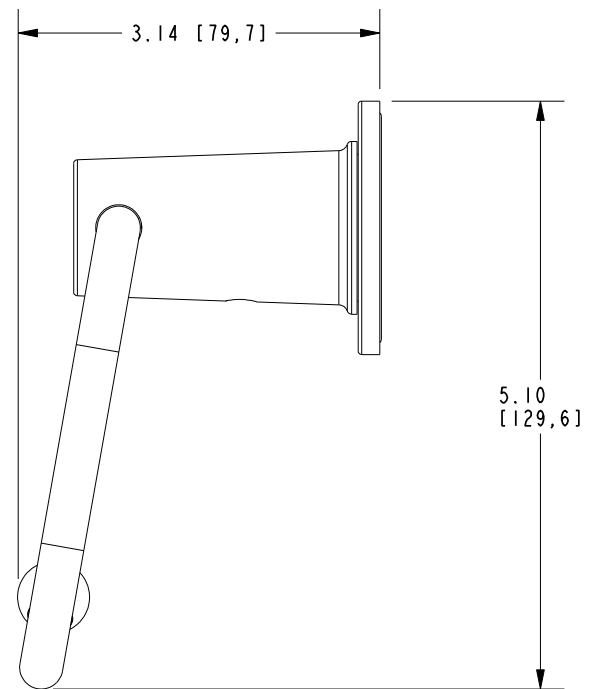
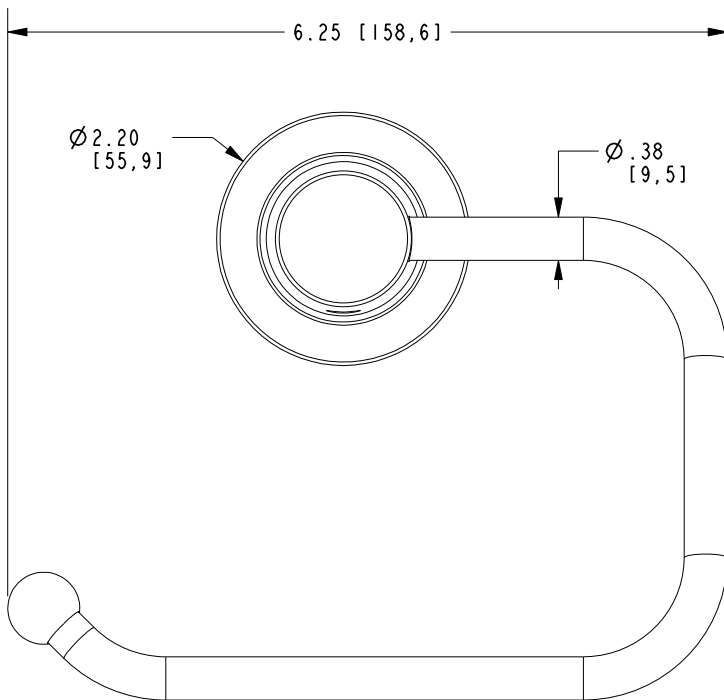
All applicable US Federal and State material regulations



# 42-27

## PRODUCT DIMENSIONS *(Units are in inches)*

Product Dimensions are provided for reference only. For specific product installation guidelines, please reference the Installation Instructions of the product being installed.



TOILET TISSUE HOLDER

42-27

Page 2 of 2  
EN- 5029  
REV B

**NEWPORT BRASS**  
Flawless Beauty. From Faucet to Finish.

t: 949.417.5207 | [www.newportbrass.com](http://www.newportbrass.com)  
©2025 NewportBrass