

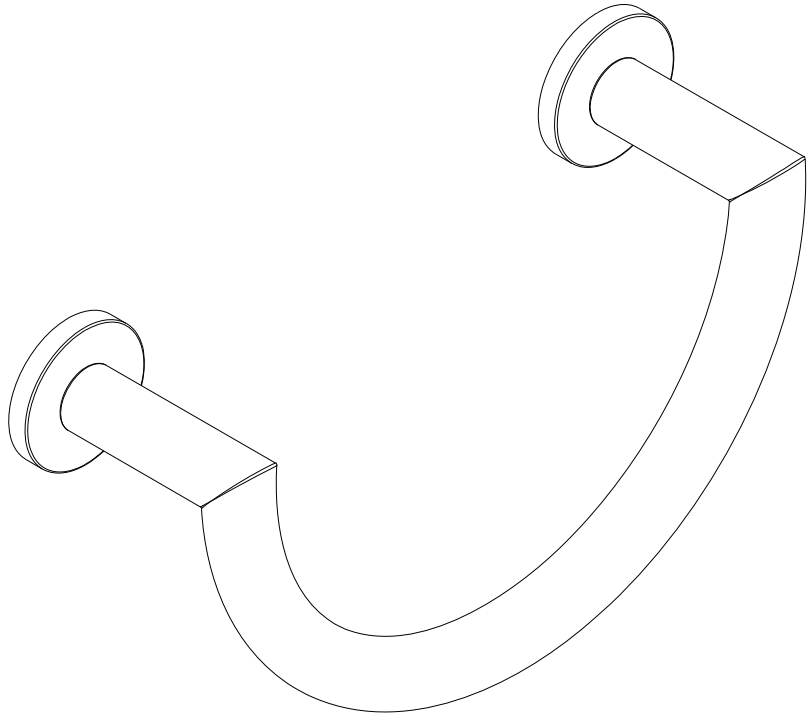
Features

Solid brass construction
Double-post design with rigid, downwardly curved bar
Complements Keaton product series

Codes / Standards Compliance

Meets or exceeds the following at date of manufacture:

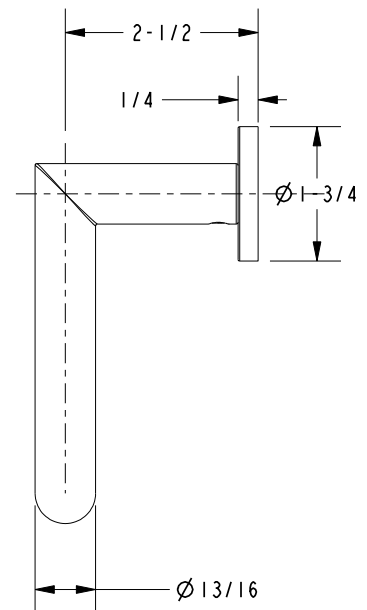
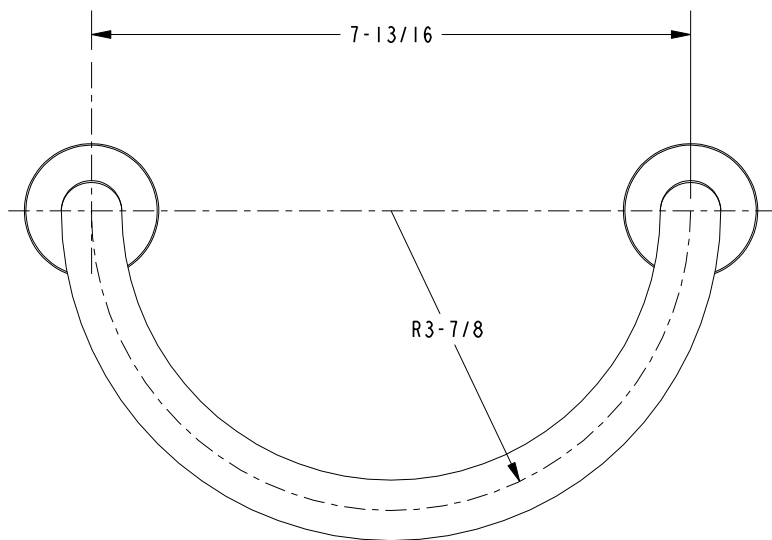
All applicable US Federal and State material regulations



36-09

PRODUCT DIMENSIONS *(Units are in inches)*

Product Dimensions are provided for reference only. For specific product installation guidelines, please reference the Installation Instructions of the product being installed.



TOWEL RING

36-09

Page 2 of 2
EN- 5016
REV E

NEWPORT BRASS
Flawless Beauty. From Faucet to Finish.

t: 949.417.5207 | www.newportbrass.com
©2025 NewportBrass