

### Features

### BRIDGE STYLE KITCHEN FAUCET WITH SIDESPRAY

Solid brass construction  
Bridge-style brass valve bodies  
Quarter-turn washerless ceramic disc valve cartridges  
Swivel spout assembly  
Solid brass pull-out sidespray assembly  
8.37" (21.3 cm) spout height at outlet  
9.20" (23.4 cm) spout reach (c-c)  
For 8.00" (20.3 cm) centers  
ADA Compliant (Handles Only)  
1.8 GPM (6.8 LPM) Max

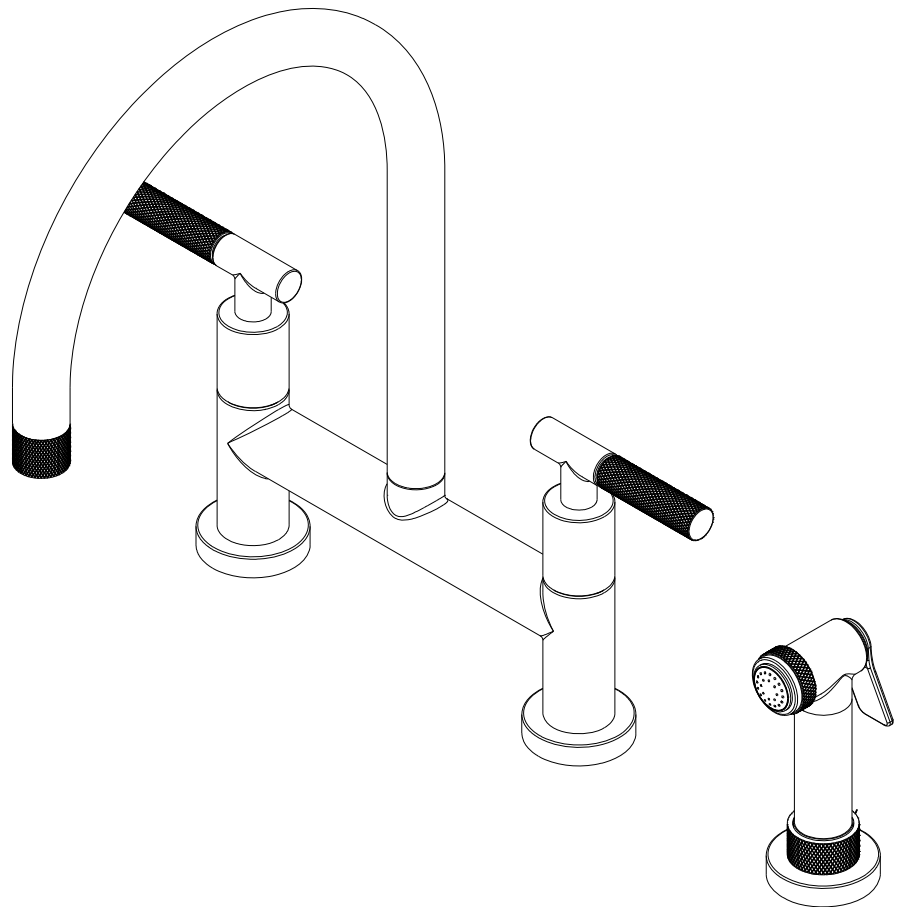
# 3290-5413



### Codes / Standards Compliance

Meets or exceeds the following at date of manufacture:

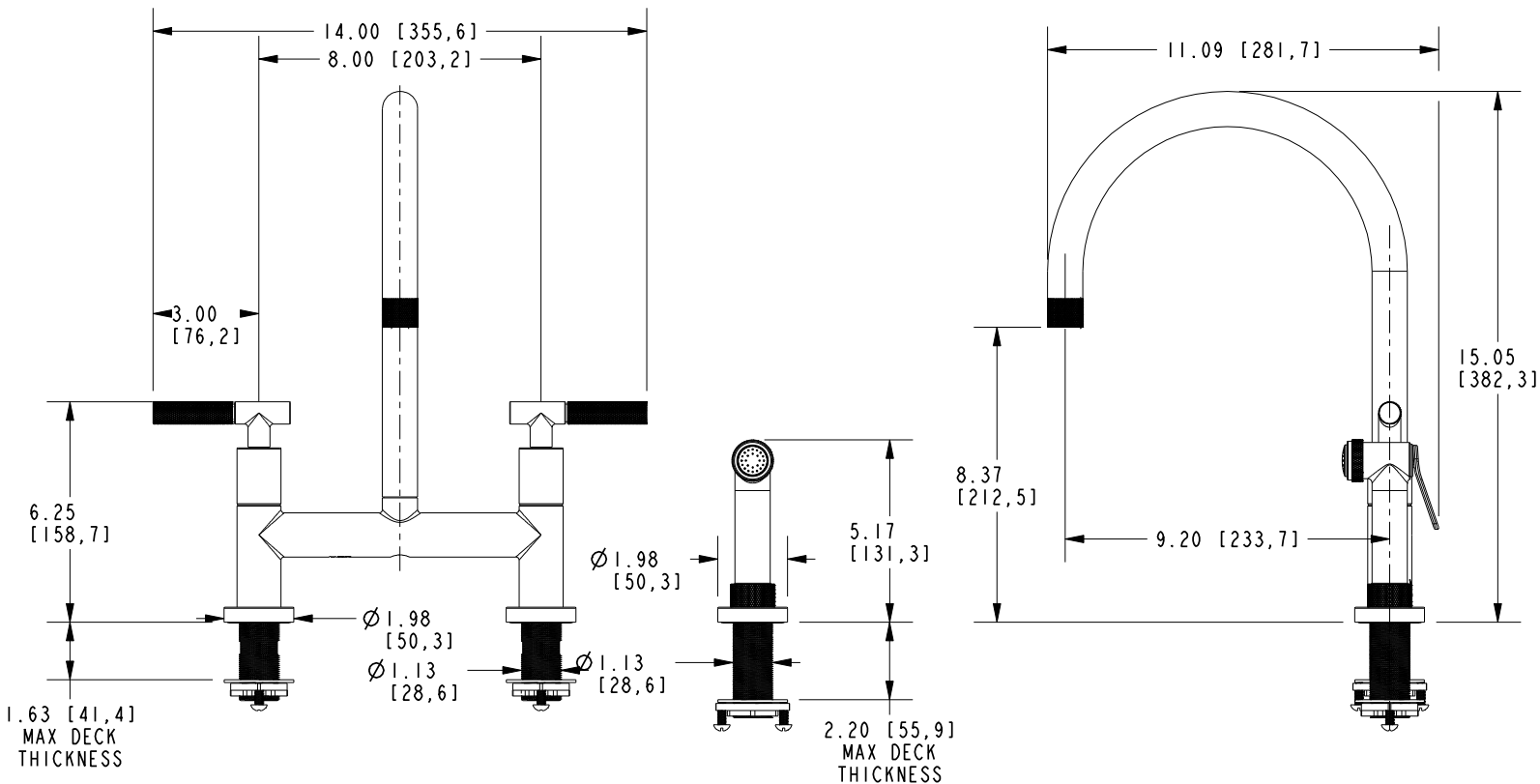
ASME A112.18.1/CSA B125.1-18  
IAPMO/cUPC  
NSF/ANSI/CAN 61, SECTION 9  
NSF/ANSI 372  
IPC  
ADA & ICC/ANSI A117.1 (Handle Only)  
Energy Policy Act of 1992  
California Energy Commission  
ASME A112.18.3 (Back Flow)  
All applicable US Federal and State material regulations



# 3290-5413

## PRODUCT DIMENSIONS *(Units are in inches)*

Product Dimensions are provided for reference only. For specific product installation guidelines, please reference the Installation Instructions of the product being installed.



BRIDGE STYLE KITCHEN FAUCET WITH SIDESPRAY

3290-5413

Page 2 of 2  
EN- 4903-3  
REV D

**NEWPORT BRASS**  
Flawless Beauty. From Faucet to Finish.

t: 949.417.5207 | www.newportbrass.com  
©2025 NewportBrass