

Soap / Lotion Dispenser
3210-5721

Features

- Solid brass construction
- One piece cast spout design
- Base with integral O-ring deck seal
- Removable spout for above deck refilling
- 8 fluid oz. (236 ml) capacity bottle included
- 1.51" (3.8 cm) spout height at outlet
- 3.77" (9.6 cm) spout reach (c-c)

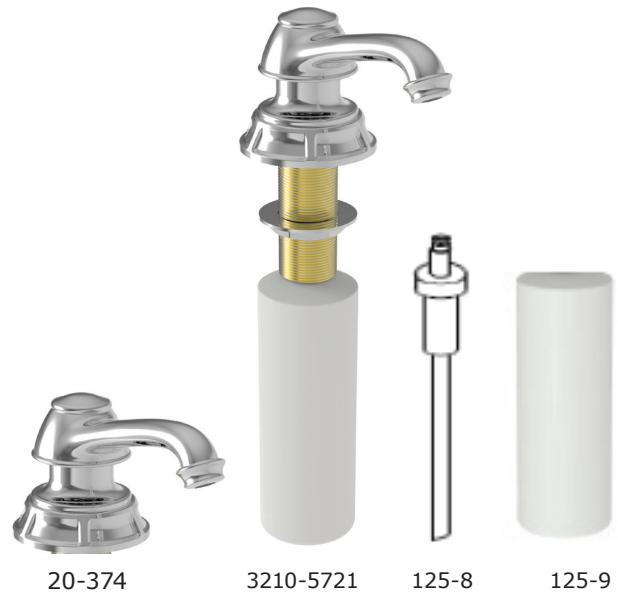
Codes / Standards Compliance

Meets or exceeds the following at date of manufacture:

- All applicable US Federal and State material regulations

Colors / Finishes

- 10B: Oil Rubbed Bronze
 - 15: Polished Nickel
 - 15S: Satin Nickel - PVD
 - 26: Polished Chrome
- Other: Refer to the Newport Brass catalog for additional color/finish options.



Specified Model

Model	Description	Colors Finishes				
3210-5721	Soap Lotion Dispenser	<input type="checkbox"/> 10B	<input type="checkbox"/> 15	<input type="checkbox"/> 15S	<input type="checkbox"/> 26	<input type="checkbox"/> Other
20-374	Soap / Lotion Replacement Pump Head	<input type="checkbox"/> 10B	<input type="checkbox"/> 15	<input type="checkbox"/> 15S	<input type="checkbox"/> 26	<input type="checkbox"/> Other
125-8	Soap / Lotion Replacement Pump	<input type="checkbox"/> NA				
125-9	Soap / Lotion Replacement Bottle	<input type="checkbox"/> NA				

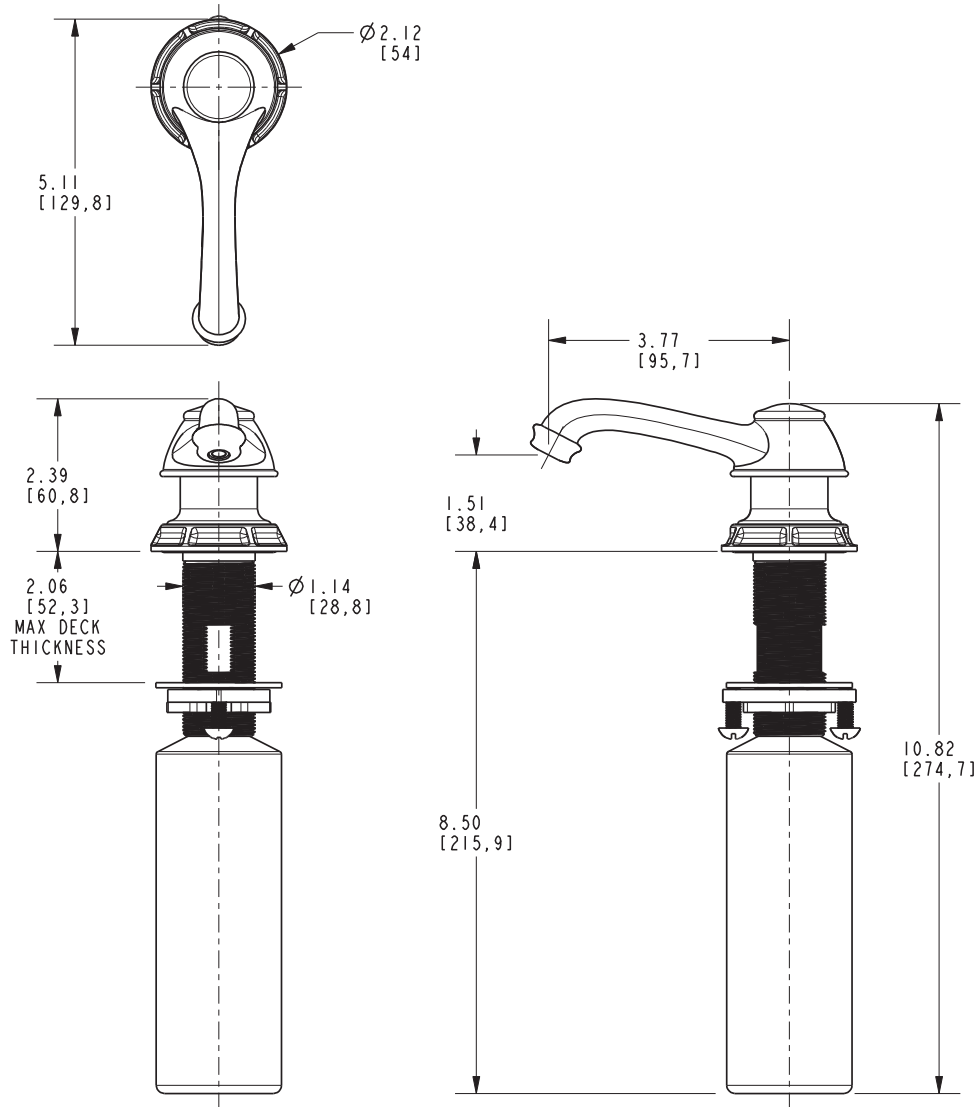
* Note: Requires 1-1/4" to 1-11/16" through hole. Accommodates 2-1/4" maximum deck thickness.

Product Specification Add "Color / Finish" suffix to Model number, below.

The Soap / Lotion Dispenser shall be made of solid brass construction. Dispenser shall incorporate a removable top spout assembly for easy refilling access. Dispenser shall incorporate a refillable 8 fluid ounce (236 ml) capacity container. Product shall incorporate a 1.51" (3.8 cm) spout height at outlet and a 3.77" (9.6 cm) spout reach (c-c). Soap / Lotion Dispenser shall be Newport Brass Model 3210-5721/_____.

3210-5721

PRODUCT DIMENSIONS *(Units are in inches)*



Gavin Soap / Lotion Dispenser 3210-5721