

NEWPORT BRASS

JETER

HOT & COLD WATER DISPENSER

3200-5603



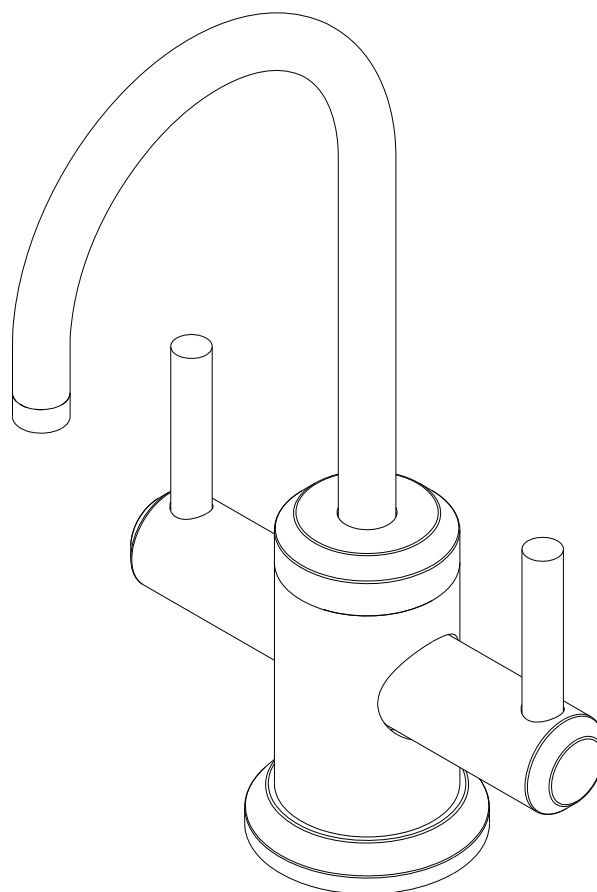
Features

- Solid brass construction
- Quarter-turn washerless ceramic disc valve cartridges
- Integrated supply hoses
- Spring-loaded, normally closed hot side handle
- For single hole configurations
- 6.33" (16.1 cm) spout height at outlet
- 4.00" (10.2 cm) spout reach (c-c)
- 1.5 GPM (5.7 LPM) Max - Actual flow rate can vary depending on installation specific factors including in-line water pressure and water filtration system

Codes / Standards Compliance

Meets or exceeds the following at date of manufacture:

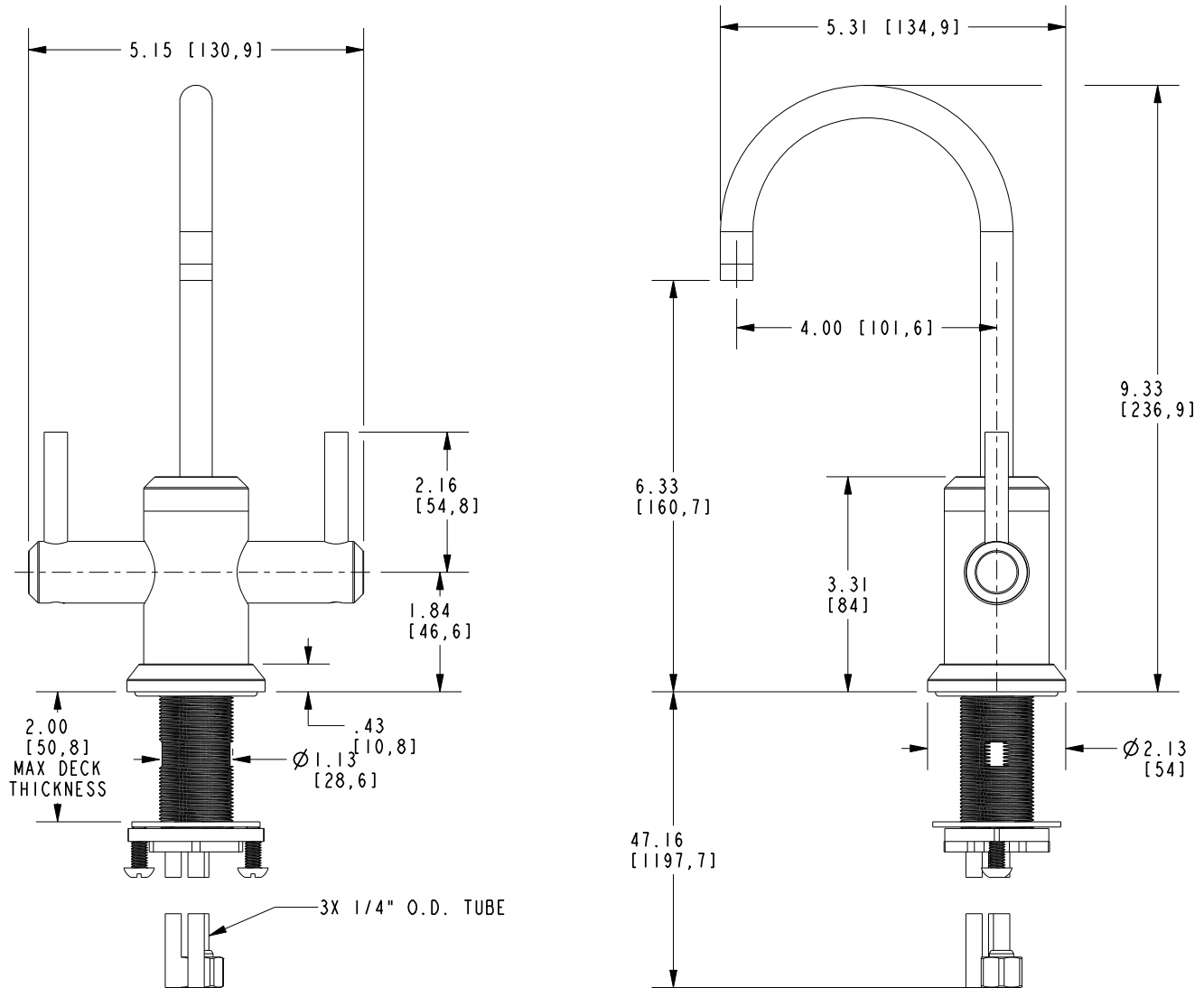
- ASME A112.18.1/CSA B125.1
- IAPMO/cUPC
- NSF/ANSI 61, SECTION 9
- NSF/ANSI 372
- IPC
- Energy Policy Act of 1992
- California Energy Commission
- All applicable US Federal and State material regulations



NEWPORT BRASS

PRODUCT DIMENSIONS *(Units are in inches)*

Product Dimensions are provided for reference only. For specific product installation guidelines, please reference the Installation Instructions of the product being installed.



HOT & COLD WATER DISPENSER

3200-5603