

Pot-Filler Faucet
3200-5503

Features

- Solid brass construction
- Brass valve bodies
- Quarter-turn washerless ceramic disc valve cartridges
- Two-valve, inlet/outlet flow control design
- 4.37" (11.1 cm) spout height from wall inlet center
- 21.39" (54.3 cm) pivoting spout reach from inlet valve (c-c)
- 3.51" (8.9 cm) pivoting inlet valve offset (wall-center)
- For single hole, wall-mounted configurations
- ADA Compliant



Codes / Standards Compliance

Meets or exceeds the following at date of manufacture:

- ASME A112.18.1/CSA B125.1-18
- IAPMO/cUPC
- NSF/ANSI 61, SECTION 9
- NSF/ANSI 372
- IPC
- ADA & ICC/ANSI A117.1
- All applicable US Federal and State material regulations



Colors / Finishes

- 10B: Oil Rubbed Bronze
- 15: Polished Nickel
- 15S: Satin Nickel - PVD
- 26: Polished Chrome
- Other: Refer to the Newport Brass catalog for additional color/finish options.

Specified Model

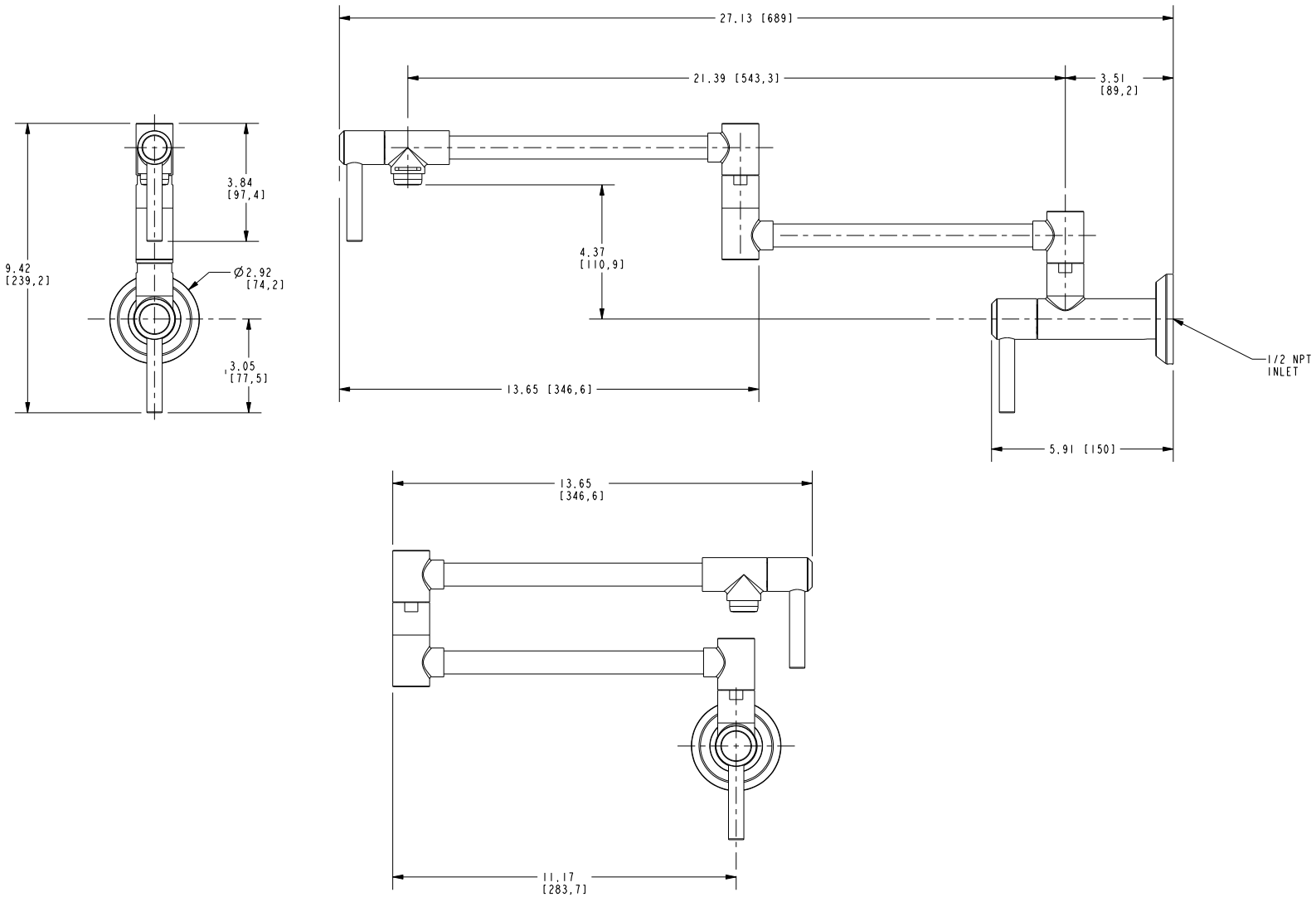
Model	Description	Colors Finishes
3200-5503	Wall-Mounted Pot-Filler Faucet	<input type="checkbox"/> 10B <input type="checkbox"/> 15 <input type="checkbox"/> 15S <input type="checkbox"/> 26 <input type="checkbox"/> Other

Product Specification Add "Color / Finish" suffix to Model number, below.

The Pot-Filler Faucet shall be made of solid brass construction. Faucet shall incorporate a double-pivot spout with aerated flow and a feature brass valve bodies with quarter-turn washerless ceramic disc valve cartridges. Pot-filler Faucet shall be a two-valve, inlet/outlet flow control design accommodating single-hole, wall-mounted configurations. Product shall incorporate a 4.37" (11.1 cm) spout height from wall inlet center and a 21.39" (54.3 cm) pivoting spout reach from inlet valve (c-c). Pot-Filler Faucet pivot axis (inlet valve center) offset shall be 3.51" (8.9 cm) (wall-center). Pot-Filler Faucet shall be Newport Brass Model 3200-5503/____ ..

3200-5503

Product Dimensions are provided for reference only. For specific product installation guidelines, please reference the Installation Instructions of the product being installed.



Jeter Pot Filler Faucet 3200-5503