

# NEWPORT BRASS

## ADAMS

### COLD WATER DISPENSER

# 3170-5623

### Features

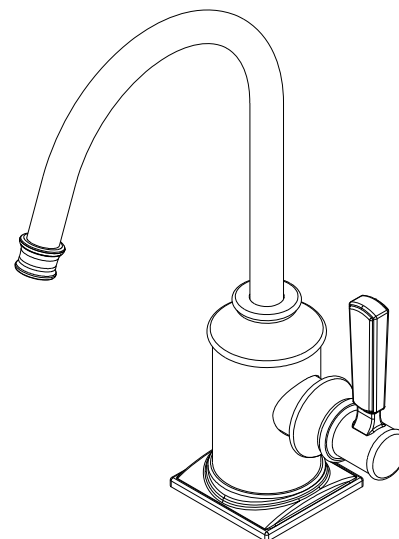
- Solid brass construction
- Quarter-turn washerless ceramic disc valve cartridges
- For single hole configurations
- 6.34" (16.1 cm) spout height at outlet
- 4.88" (12.4 cm) spout reach (c-c)
- ADA Compliant
- 1.5 GPM (5.7 LPM) Max - Actual flow rate can vary depending on installation specific factors including in-line water pressure and water filtration system



### Codes / Standards Compliance

Meets or exceeds the following at date of manufacture:

- ASME A112.18.1/CSA B125.1
- IAPMO/cUPC
- NSF/ANSI 61, SECTION 9
- NSF/ANSI 372
- IPC
- ADA & ICC/ANSI A117.1
- Energy Policy Act of 1992
- California Energy Commission
- All applicable US Federal and State material regulations



### ACCESSORY OPTIONAL

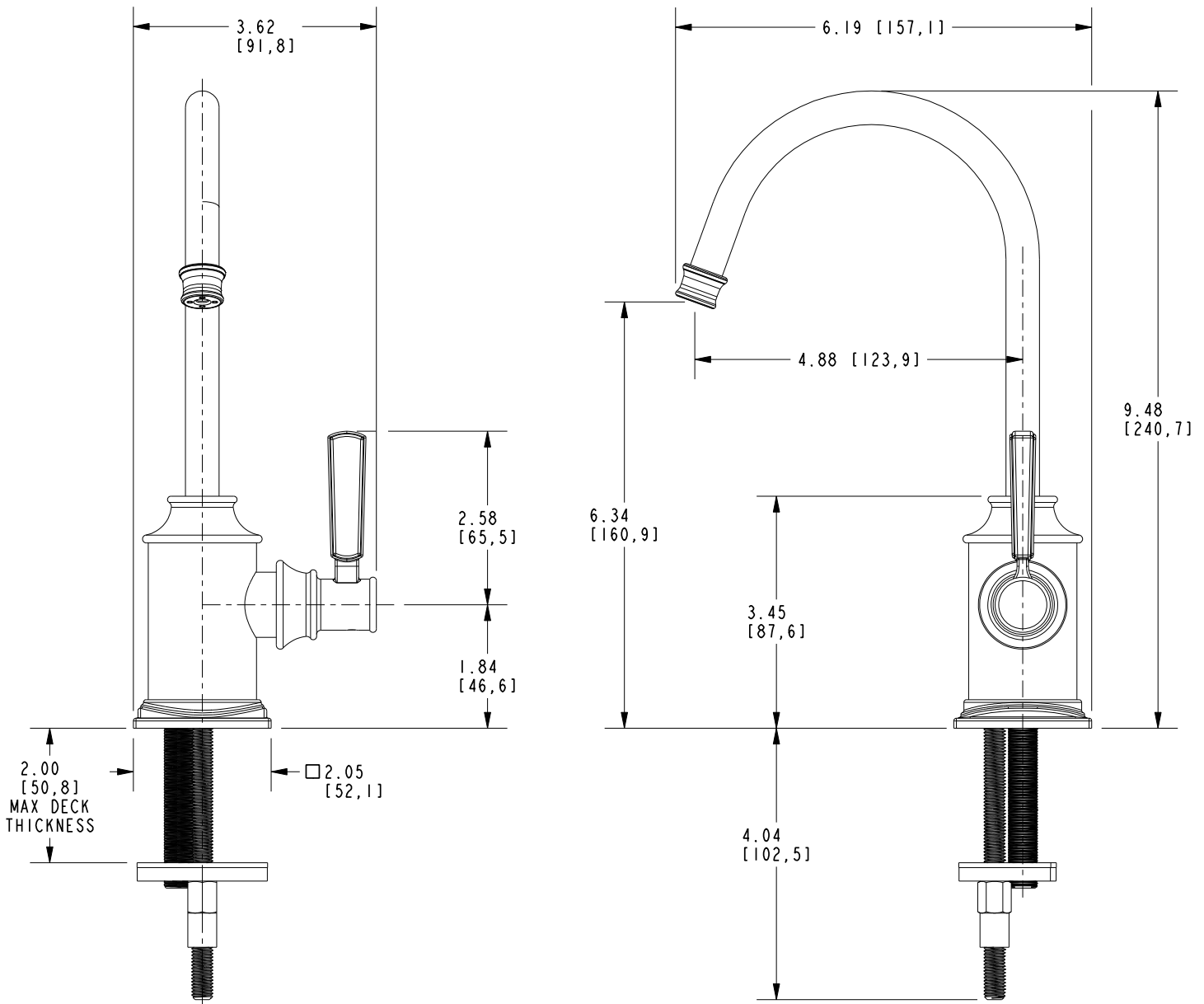
<b>System Element</b>	Air Gap
<b>Description</b>	Air Gap, Reverse Osmosis
<b>Inlet/Outlet Size</b>	1/4" / 3/8"
<b>Part Number</b>	6-028
<b>Image</b>	

\*\*The use of an air gap is required for dispenser faucets drawing from a reverse osmosis filtration system. The Integrated Air Gap Base (6-028) affords the functionality of a separate air gap within the design of the product as depicted. Failure to specify the Integrated Air Gap Base (6-028) will result in a product constructed using the standard base (no internal air gap)

# NEWPORT BRASS

## PRODUCT DIMENSIONS *(Units are in inches)*

Product Dimensions are provided for reference only. For specific product installation guidelines, please reference the Installation Instructions of the product being installed.



COLD WATER DISPENSER

3170-5623