

# NEWPORT BRASS

## ADAMS

### HOT & COLD WATER DISPENSER

# 3170-5603



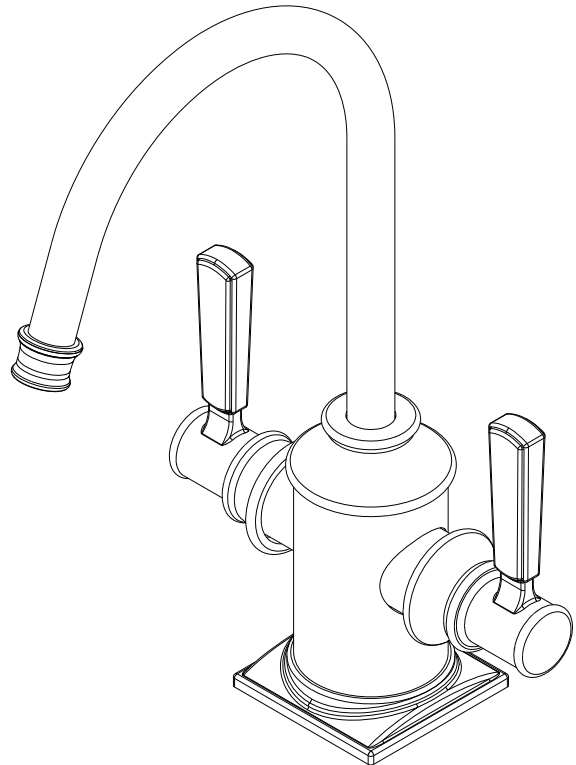
## Features

- Solid brass construction
- Quarter-turn washerless ceramic disc valve cartridges
- Integrated supply hoses
- Spring-loaded, normally closed hot side handle
- For single hole configurations
- 6.35" (16.1 cm) spout height at outlet
- 4.87" (12.4 cm) spout reach (c-c)
- 1.5 GPM (5.7 LPM) Max - Actual flow rate can vary depending on installation specific factors including in-line water pressure and water filtration system

## Codes / Standards Compliance

Meets or exceeds the following at date of manufacture:

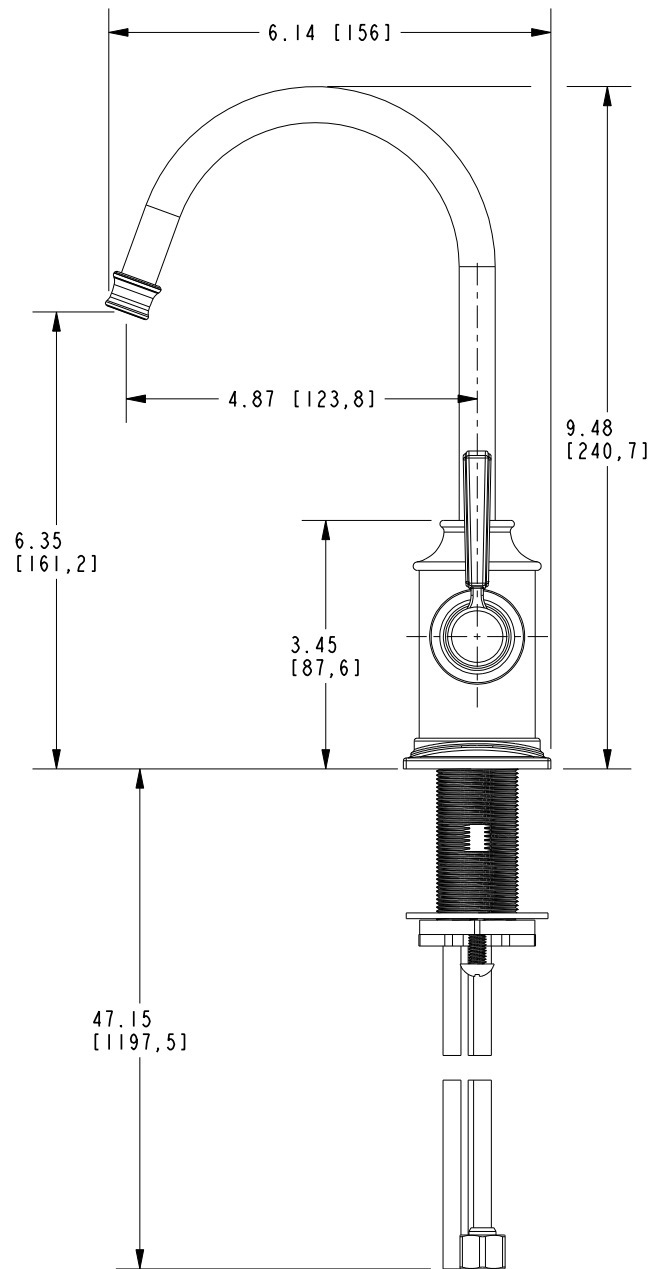
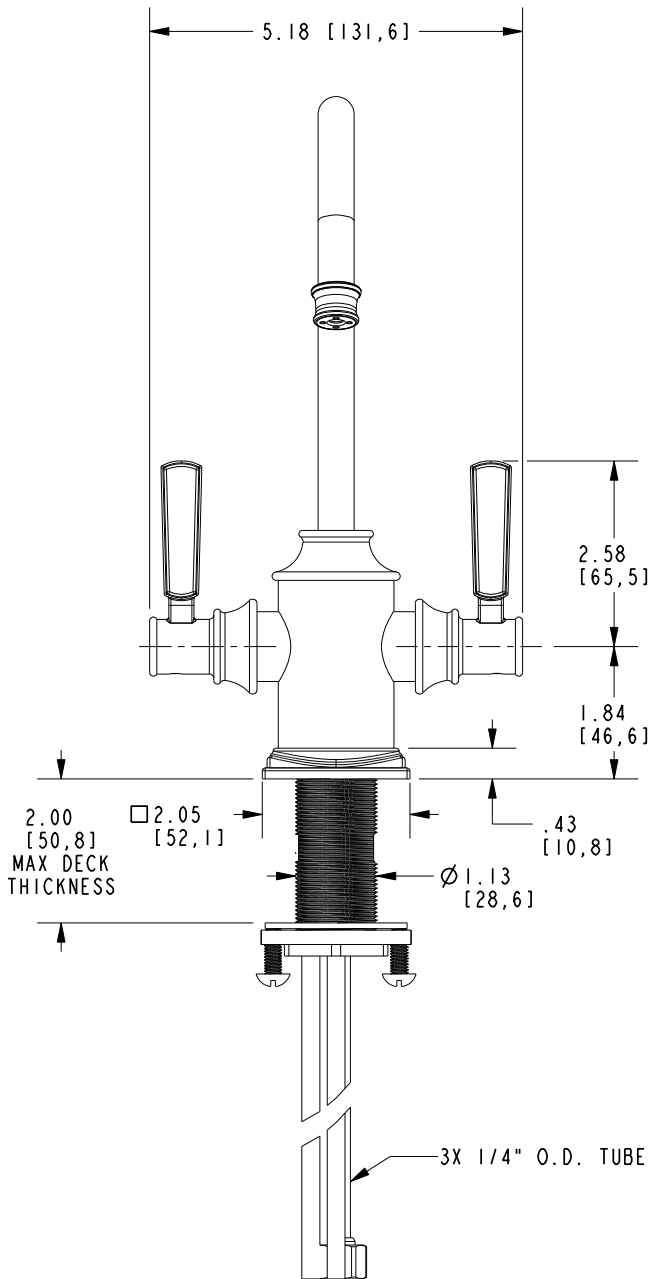
- ASME A112.18.1/CAS B125.1
- IAPMO/cUPC
- NSF/ANSI 61, SECTION 9
- NSF/ANSI 372
- IPC
- Energy Policy Act of 1992
- California Energy Commission
- All applicable US Federal and State material regulations



# NEWPORT BRASS

## PRODUCT DIMENSIONS *(Units are in inches)*

Product Dimensions are provided for reference only. For specific product installation guidelines, please reference the Installation Instructions of the product being installed.



**HOT & COLD WATER DISPENSER**

**3170-5603**