

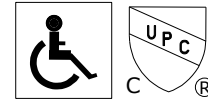
## CHESTERFIELD

### ROMAN TUB DECK TRIM

# 3-936

### Features

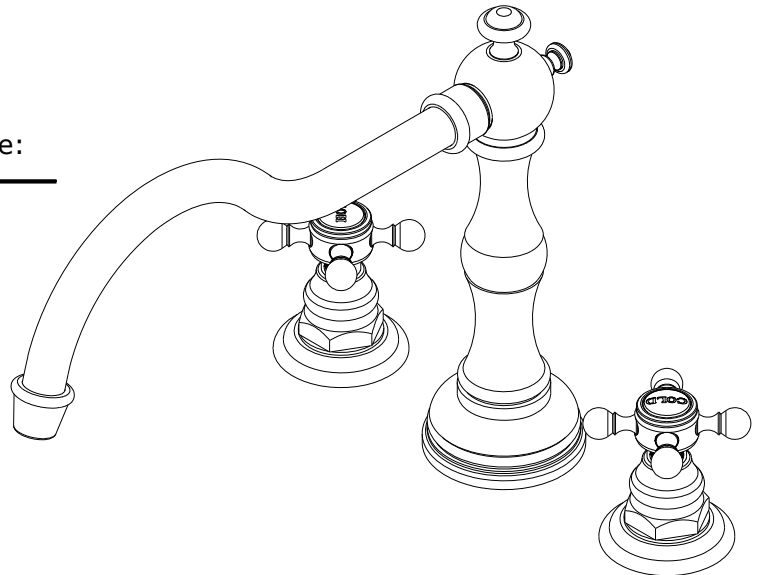
- Solid brass construction
- 6.01" (15.3 cm) spout height at outlet
- 11.53" (29.3 cm) spout reach (c-c)
- Intended for use with Newport Brass rough valve kit (Required Accessory) which incorporates the following:
  - Brass valve bodies and quick-connect spout fitting
  - Quarter-turn washerless ceramic disc 3/4" valve cartridges
- ADA Compliant



### Codes / Standards Compliance

Meets or exceeds the following at date of manufacture:

- ASME A112.18.1/CSA B125.1-18
- IAPMO/cUPC
- IPC
- ADA & ICC/ANSI A117.1
- California Energy Commission
- All applicable US Federal and State material regulations

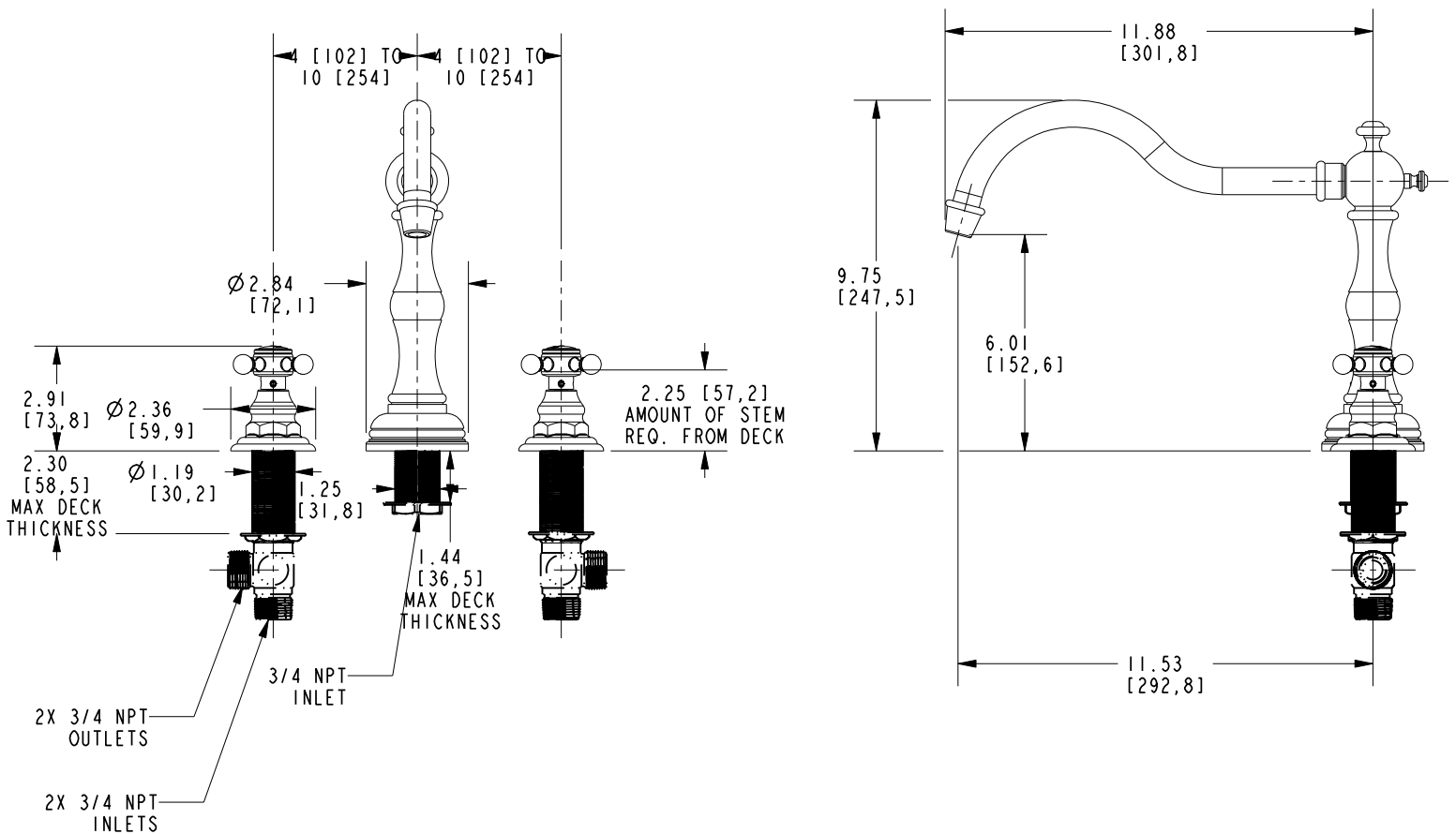


ACCESSORY REQUIRED	
<b>System Element</b>	Deck Tub Valve
<b>Description</b>	2-Valve Assembly With Quick Connect Spout Adapter
<b>Inlet/Outlet Size</b>	3/4"
<b>Part Number</b>	1-502
<b>Image</b>	

# 3-936

## PRODUCT DIMENSIONS *(Units are in inches)*

Product Dimensions are provided for reference only. For specific product installation guidelines, please reference the Installation Instructions of the product being installed.



ROMAN TUB DECK TRIM

3-936

Page 2 of 2  
EN- 5018  
REV E

**NEWPORT BRASS**  
Flawless Beauty. From Faucet to Finish.

t: 949.417.5207 | [www.newportbrass.com](http://www.newportbrass.com)  
©2025 NewportBrass