

# NEWPORT BATH

## Wall Tub Spout **3-668**

### Features

- Solid brass construction
- 10.32" (26.2 cm) spout length
- 1/2" NPT inlet fitting
- Complements Jacobean product series

### Codes / Standards Compliance

Meets or exceeds the following at date of manufacture:

- All applicable US Federal and State material regulations



### Colors / Finishes

- 10B: Oil Rubbed Bronze
- 15: Polished Nickel
- 15S: Satin Nickel - PVD
- 26: Polished Chrome
- Other: Refer to the Newport Brass catalog for additional color/finish options.

### Specified Model

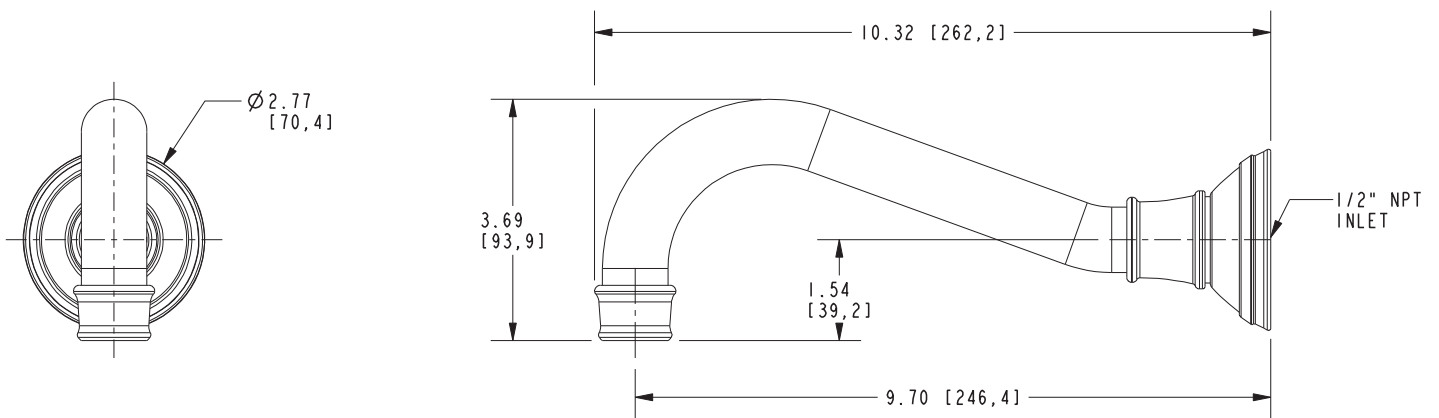
| Model | Description    | Colors   Finishes            |                             |                              |                             |                                |
|-------|----------------|------------------------------|-----------------------------|------------------------------|-----------------------------|--------------------------------|
| 3-668 | Wall Tub Spout | <input type="checkbox"/> 10B | <input type="checkbox"/> 15 | <input type="checkbox"/> 15S | <input type="checkbox"/> 26 | <input type="checkbox"/> Other |

### Product Specification Add "Color / Finish" suffix to Model number, below.

The Wall-Mounted Tub Spout shall be made of solid brass construction. Tub spout shall have a length of 10.32" (26.2 cm) and incorporate a 1/2" NPT inlet fitting. Tub Spout shall be Newport Brass Model 3-668/\_\_\_\_\_.

# 3-668

## PRODUCT DIMENSIONS *(Units are in inches)*



### Newport Bath Wall Tub Spout 3-668