

NEWPORT BATH

Wall Tub Spout

3-383

Features

- Solid brass construction
- 7.82" (19.8 cm) spout length
- 1/2" NPT inlet fitting
- Complements Aylesbury product series

Codes / Standards Compliance

Meets or exceeds the following at date of manufacture:

- All applicable US Federal and State material regulations



Colors / Finishes

- 10B: Oil Rubbed Bronze
- 15: Polished Nickel
- 15S: Satin Nickel - PVD
- 26: Polished Chrome
- Other: Refer to the Newport Brass catalog for additional color/finish options.

Specified Model

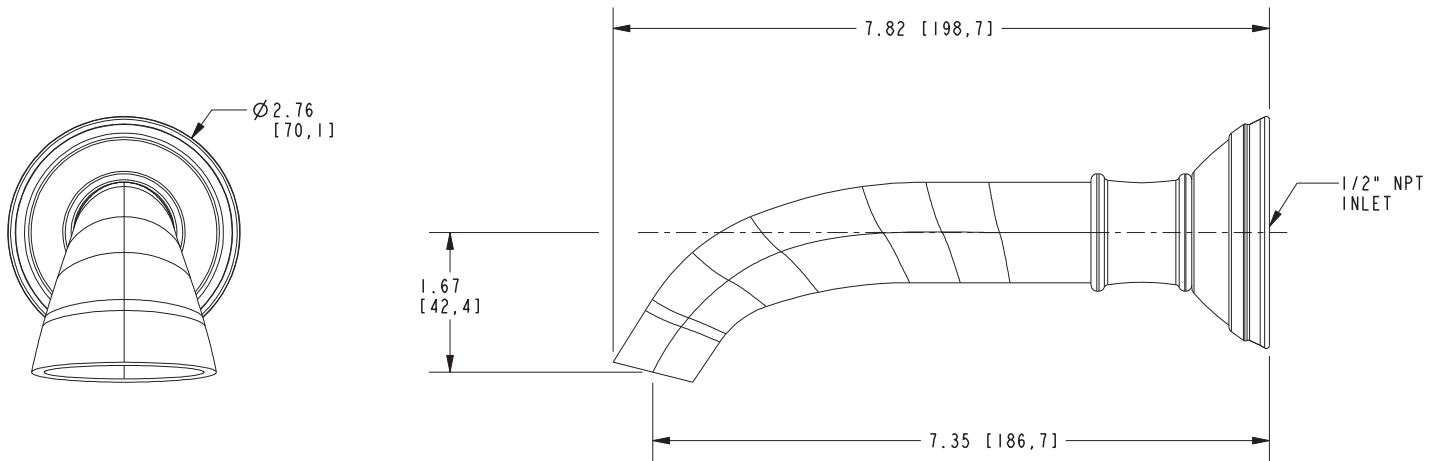
Model	Description	Colors Finishes
3-383	Wall Tub Spout	<input type="checkbox"/> 10B <input type="checkbox"/> 15 <input type="checkbox"/> 15S <input type="checkbox"/> 26 <input type="checkbox"/> Other

Product Specification Add "Color / Finish" suffix to Model number, below.

The Wall-Mounted Tub Spout shall be made of solid brass construction. Tub spout shall have a length of 7.82" (19.8 cm) and incorporate a 1/2" NPT inlet fitting. Tub Spout shall be Newport Brass Model 3-383/_____.

3-383

PRODUCT DIMENSIONS *(Units are in inches)*



Newport Bath Wall Tub Spout 3-383