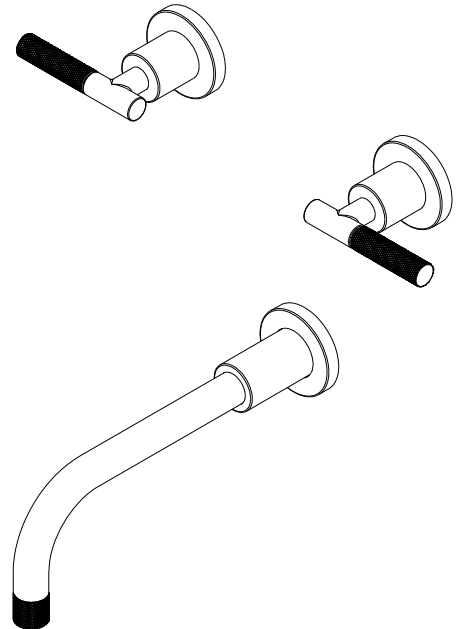


### Features

Solid brass construction  
 9.94" (25.2 cm) spout length  
 Rough valve incorporates a brass valve body assembly  
 Rough valve incorporates quarter-turn washerless ceramic disc valve cartridges  
 Intended for use with Newport Brass rough valve as specified Required Accessory  
 ADA Compliant

### WALL-MOUNTED TUB TRIM

# 3-3295



### Codes / Standards Compliance

Meets or exceeds the following at date of manufacture:

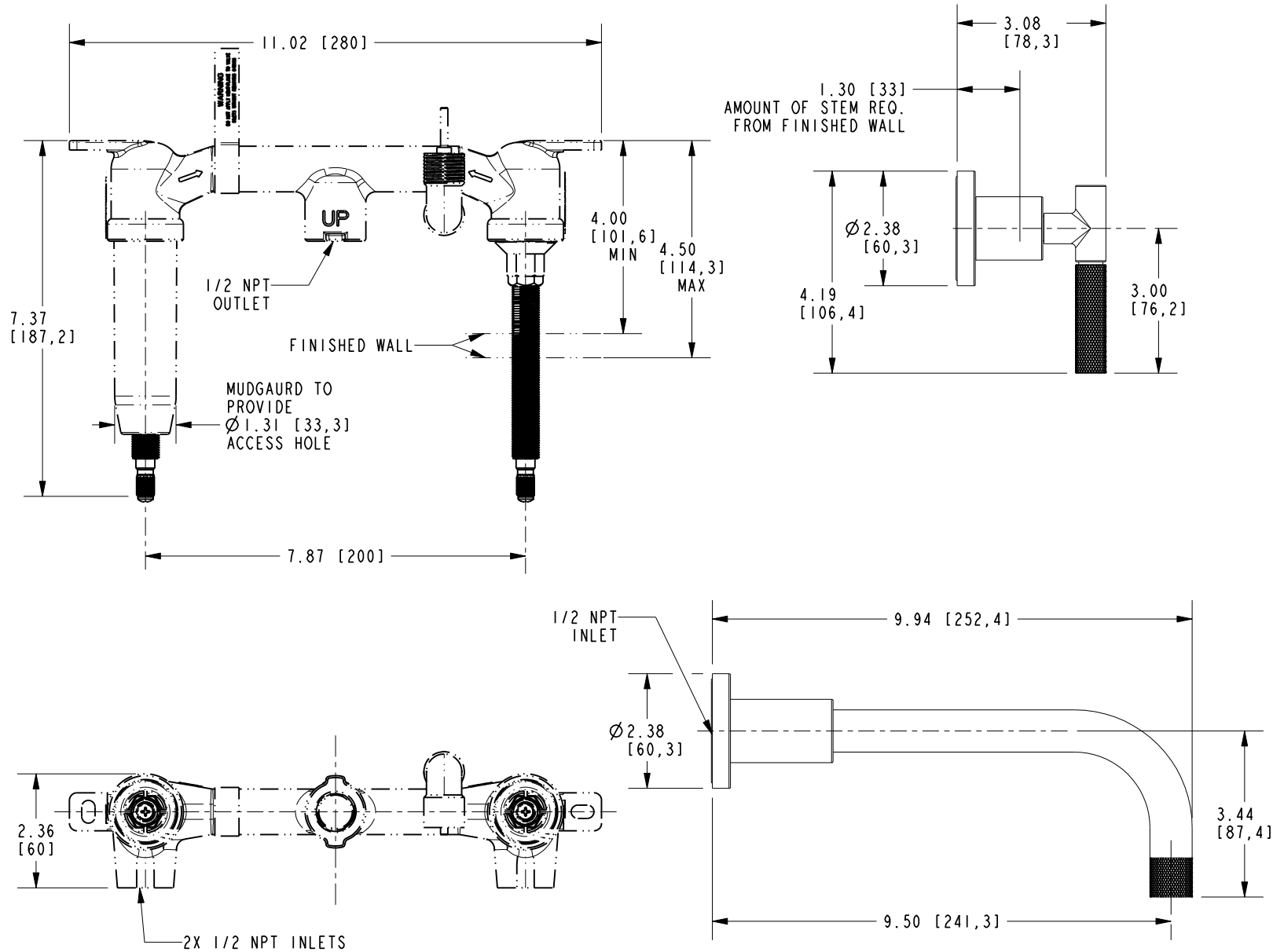
ASME A112.18.1/CSA B125.1-18  
 IAPMO/cUPC  
 IPC  
 ADA & ICC/ANSI A117.1  
 All applicable US Federal and State material regulations

ACCESSORY REQUIRED	
<b>System Element</b>	Wall Tub Rough Valve
<b>Description</b>	2-Cartridge Assembly
<b>Inlet/Outlet Size</b>	1/2" / 1/2"
<b>Part Number</b>	1-500U
<b>Image</b>	

# 3-3295

## PRODUCT DIMENSIONS *(Units are in inches)*

Product Dimensions are provided for reference only. For specific product installation guidelines, please reference the Installation Instructions of the product being installed.



WALL-MOUNTED TUB TRIM

**3-3295**

Page 2 of 2  
EN- 4935  
REV C

**NEWPORT BRASS**  
Flawless Beauty. From Faucet to Finish.

t: 949.417.5207 | [www.newportbrass.com](http://www.newportbrass.com)  
©2025 NewportBrass