

VANDER

ROMAN TUB DECK TRIM

3-2916

Features

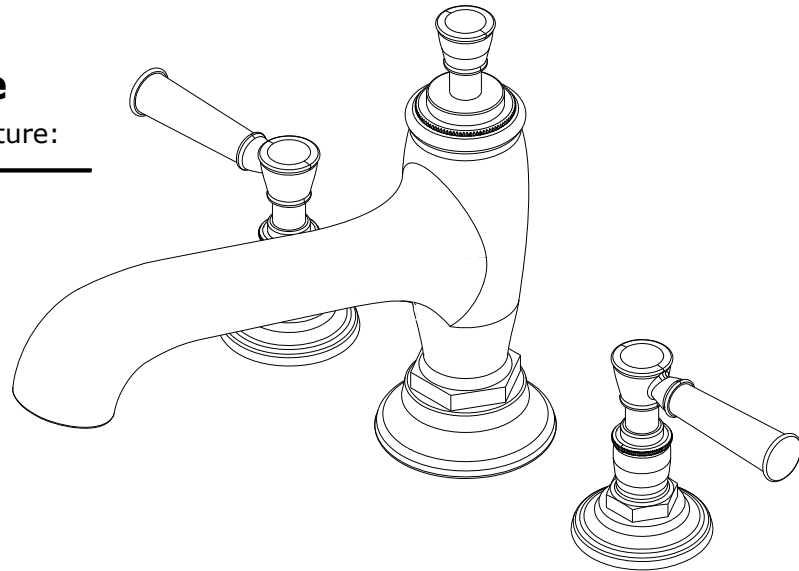
Solid brass construction
 5.06" (12.9 cm) spout height at outlet
 9.12" (23.2 cm) spout reach (c-c)
 Intended for use with Newport Brass rough valve kit (Required Accessory) which incorporates the following:
 -Brass valve bodies and quick-connect spout fitting
 -Quarter-turn washerless ceramic disc 3/4" valve cartridges
 ADA Compliant



Codes / Standards Compliance

Meets or exceeds the following at date of manufacture:

ASME A112.18.1/CSA B125.1-18
 IAPMO/cUPC
 IPC
 ADA & ICC/ANSI A117.1
 All applicable US Federal and State material regulations



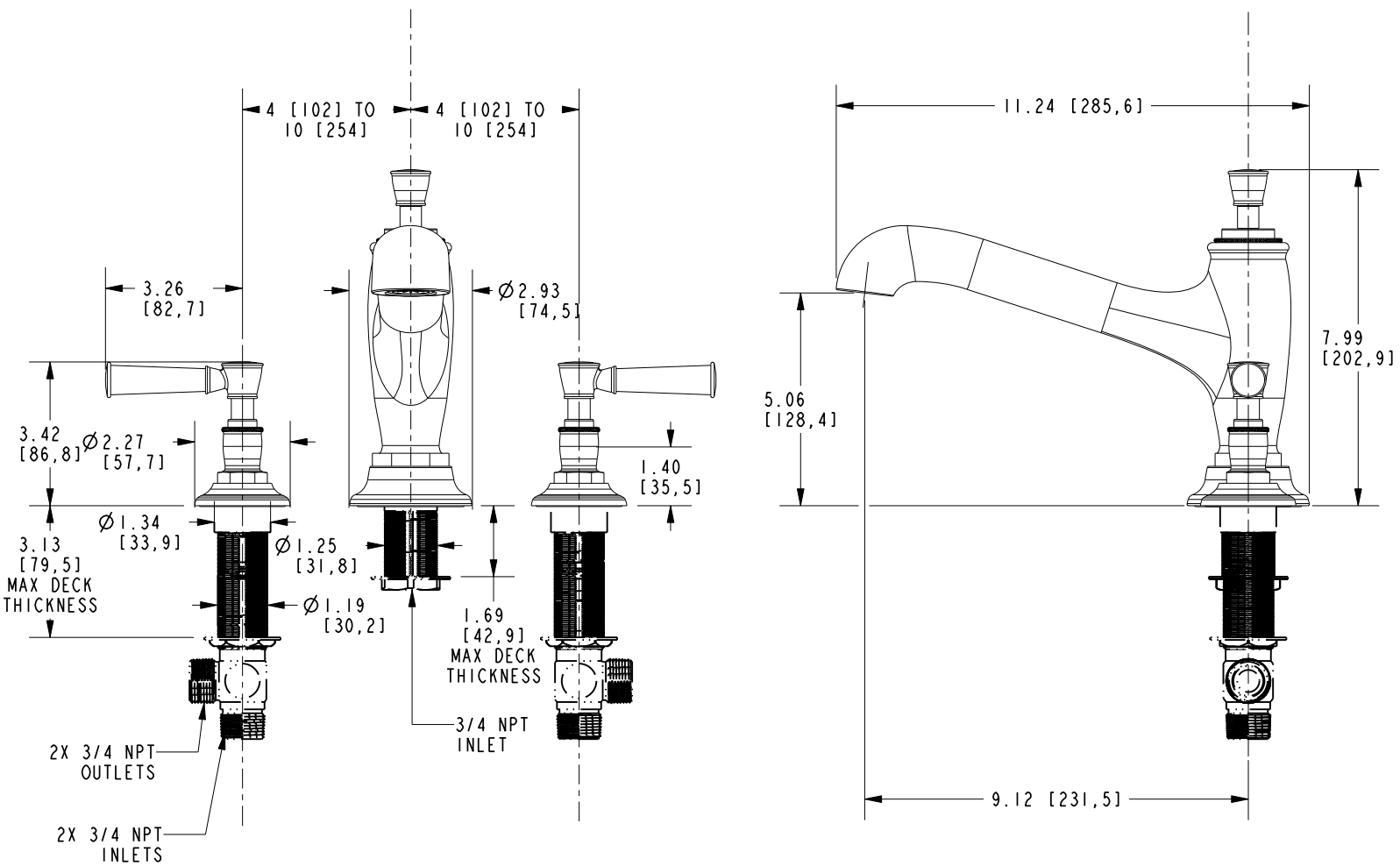
ACCESSORY REQUIRED

System Element	Deck Tub Valve
Description	2-Valve Assembly With Quick Connect Spout Adapter
Inlet/Outlet Size	3/4"
Part Number	1-665
Image	

3-2916

PRODUCT DIMENSIONS (Units are in inches)

Product Dimensions are provided for reference only. For specific product installation guidelines, please reference the Installation Instructions of the product being installed.



ROMAN TUB DECK TRIM

3-2916

Page 2 of 2
EN- 5018
REVC

NEWPORT BRASS
Flawless Beauty. From Faucet to Finish.

t: 949.417.5207 | www.newportbrass.com
©2025 NewportBrass