

### Features

---

Solid brass construction  
Complements Complements Miro product series  
ADA Compliant  
Intended for use with: Bidets - Balanced Pressure Shower - Roman Tub Faucets -  
Shower Control Valves and Diverters - Wide Spread Faucets - Wall Mounted Faucets

Note: Also intended for use as a replacement Cross Handle Trim assembly for deck and wall-mounted faucets, tubs and bidets.

Cross handle Trim

# 3-279

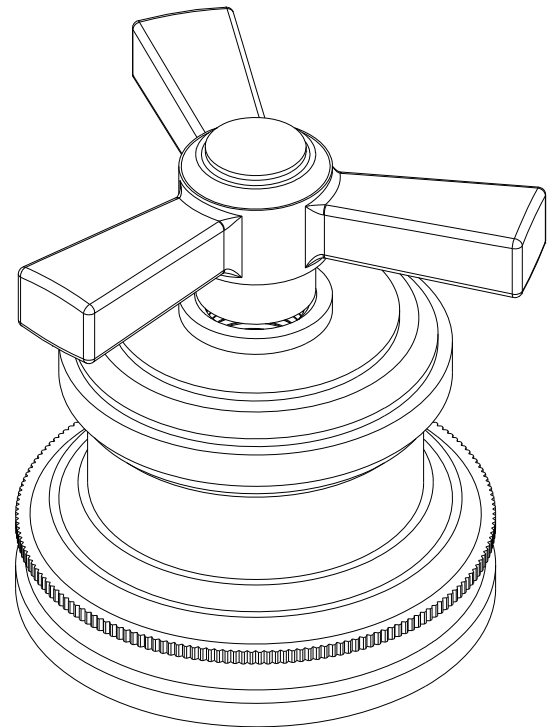


### Codes / Standards Compliance

Meets or exceeds the following at date of manufacture:

---

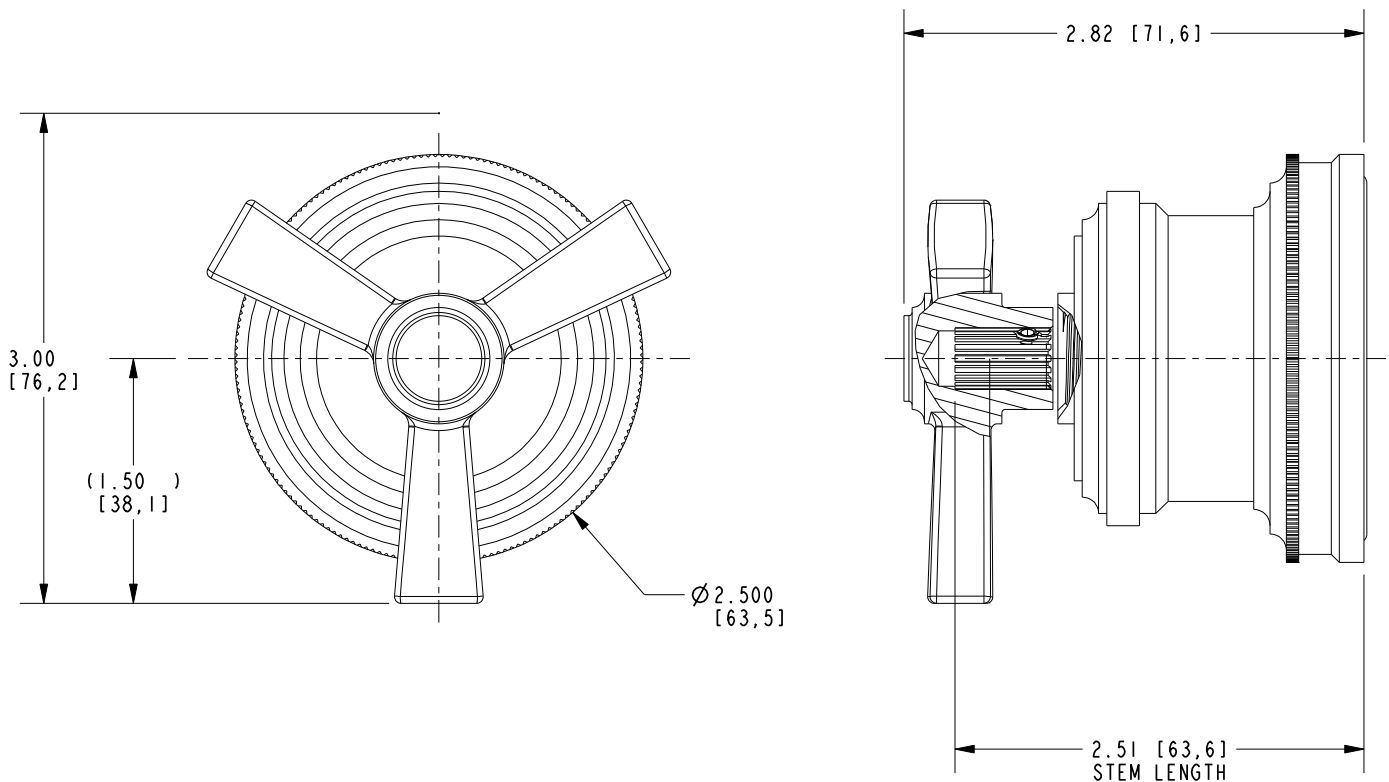
ASME A112.18.1/CSA B125.1  
IAPMO/cUPC  
IPC  
ADA & ICC/ANSIA117.1  
All applicable US Federal and State material regulations



# 3-279

## PRODUCT DIMENSIONS *(Units are in inches)*

Product Dimensions are provided for reference only. For specific product installation guidelines, please reference the Installation Instructions of the product being installed.



Cross handle Trim

**3-279**

Page 2 of 2  
EN- 4989  
REV F

**NEWPORT BRASS**  
Flawless Beauty. From Faucet to Finish.

t: 949.417.5207 | [www.newportbrass.com](http://www.newportbrass.com)  
©2025 NewportBrass