

NEWPORT BRASS

ITHACA

ROMAN TUB WITH HANDHSOWER DECK TRIM

3-2557

Features

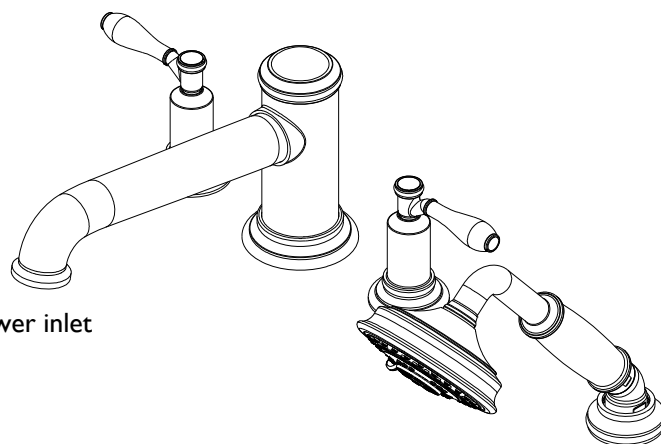
- Solid brass construction
- 3.56" (9.0 cm) spout height at outlet
- 9.55" (24.3 cm) spout reach (c-c)
- Spout incorporates diverter valve (lift cap to activate handshower)
- ADA Compliant (Handles Only)
- 1.8 GPM (6.8 LPM) Max, Handshower Only
- Intended for use with Newport Brass rough valve kit (Accessory Required) which incorporates the following:
 - Brass valve bodies and quick-connect spout fitting
 - Quarter-turn washerless ceramic disc 3/4" valve cartridges



Codes / Standards Compliance

Meets or exceeds the following at date of manufacture:

- ASME A112.18.2/CAS B125.1
- IAPMO/cUPC
- IPC
- ADA & ICC/ANSI A117.1 (Handle Only)
- Energy Policy Act of 1992
- EPA WaterSense
- California Energy Commission
- ASME A112.18.3 (Back Flow) Double check valves at hand shower inlet
- All applicable US Federal and State material regulations



ACCESSORY REQUIRED

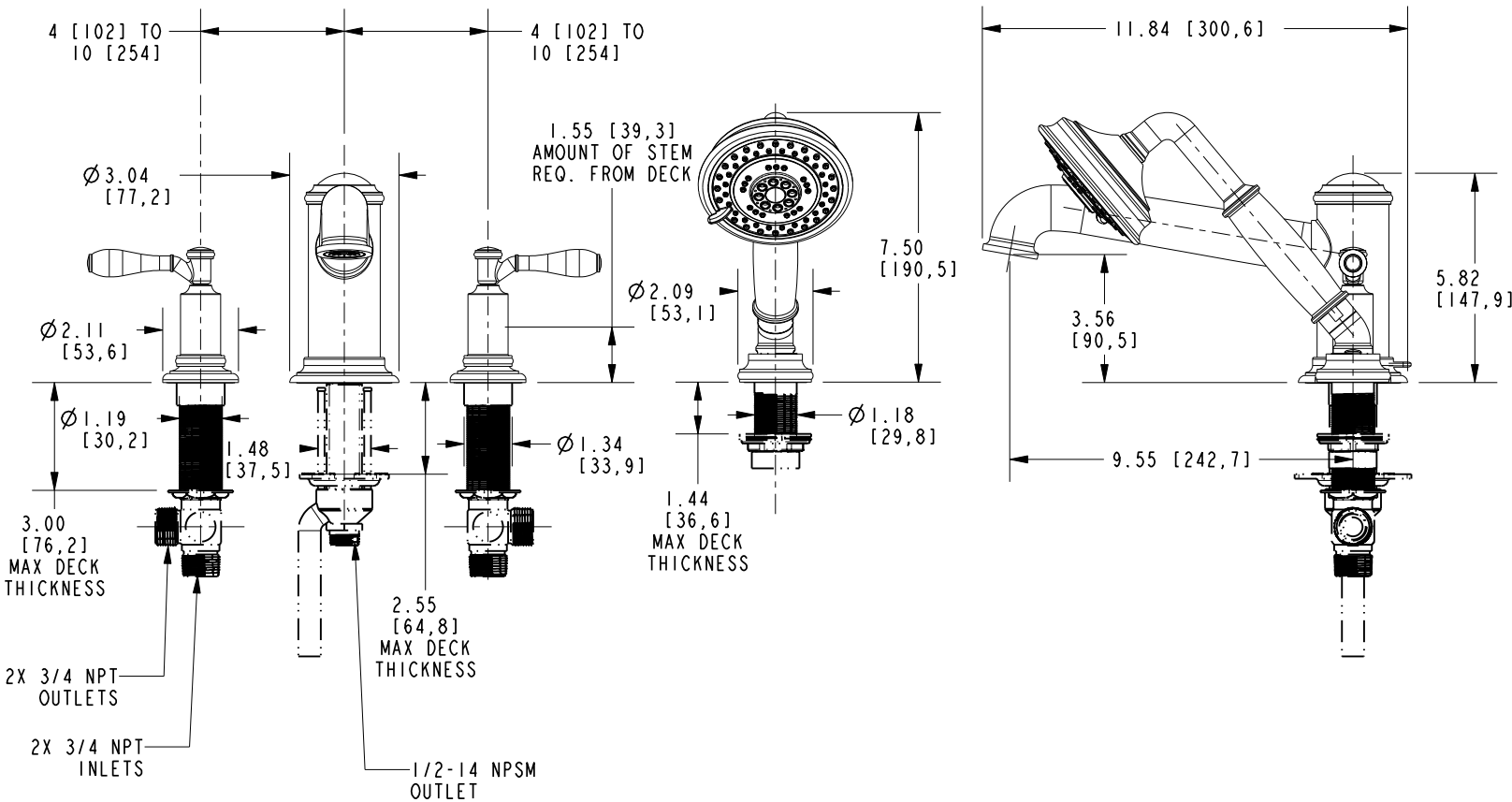
System Element	Deck Tub Valve
Description	3-Valve Assembly With Quick Connect Spout Adapter
Inlet/Outlet Size	3/4"
Part Number	1-570
Image	

NEWPORT BRASS

3-2557

PRODUCT DIMENSIONS *(Units are in inches)*

Product Dimensions are provided for reference only. For specific product installation guidelines, please reference the Installation Instructions of the product being installed.



ROMAN TUB WITH HANDSOWER DECK TRIM

3-2557