

SUTTON

ROMAN TUB DECK TRIM

3-2456

Features

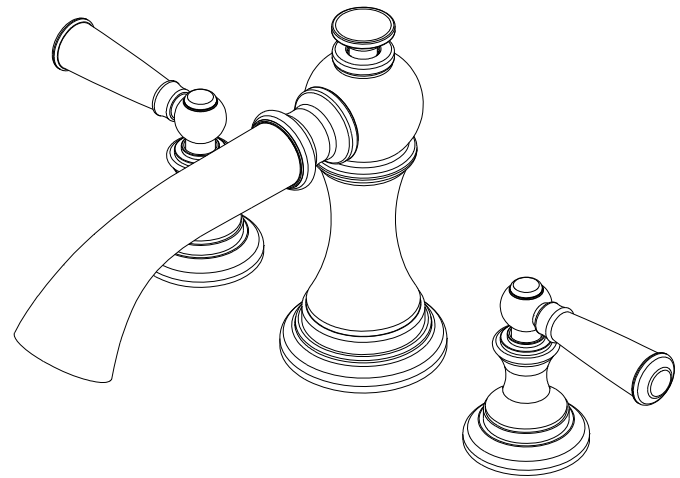
Solid brass construction
 3.45" (8.8 cm) spout height at outlet
 7.37" (18.7 cm) spout reach (c-c)
 Intended for use with Newport Brass rough valve kit (Required Accessory) which incorporates the following:
 -Brass valve bodies and quick-connect spout fitting
 -Quarter-turn washerless ceramic disc 3/4" valve cartridges
 ADA Compliant



Codes / Standards Compliance

Meets or exceeds the following at date of manufacture:

ASME A112.18.1/CSA B125.1-18
 IAPMO/cUPC
 IPC
 ADA & ICC/ANSI A117.1
 All applicable US Federal and State material regulations

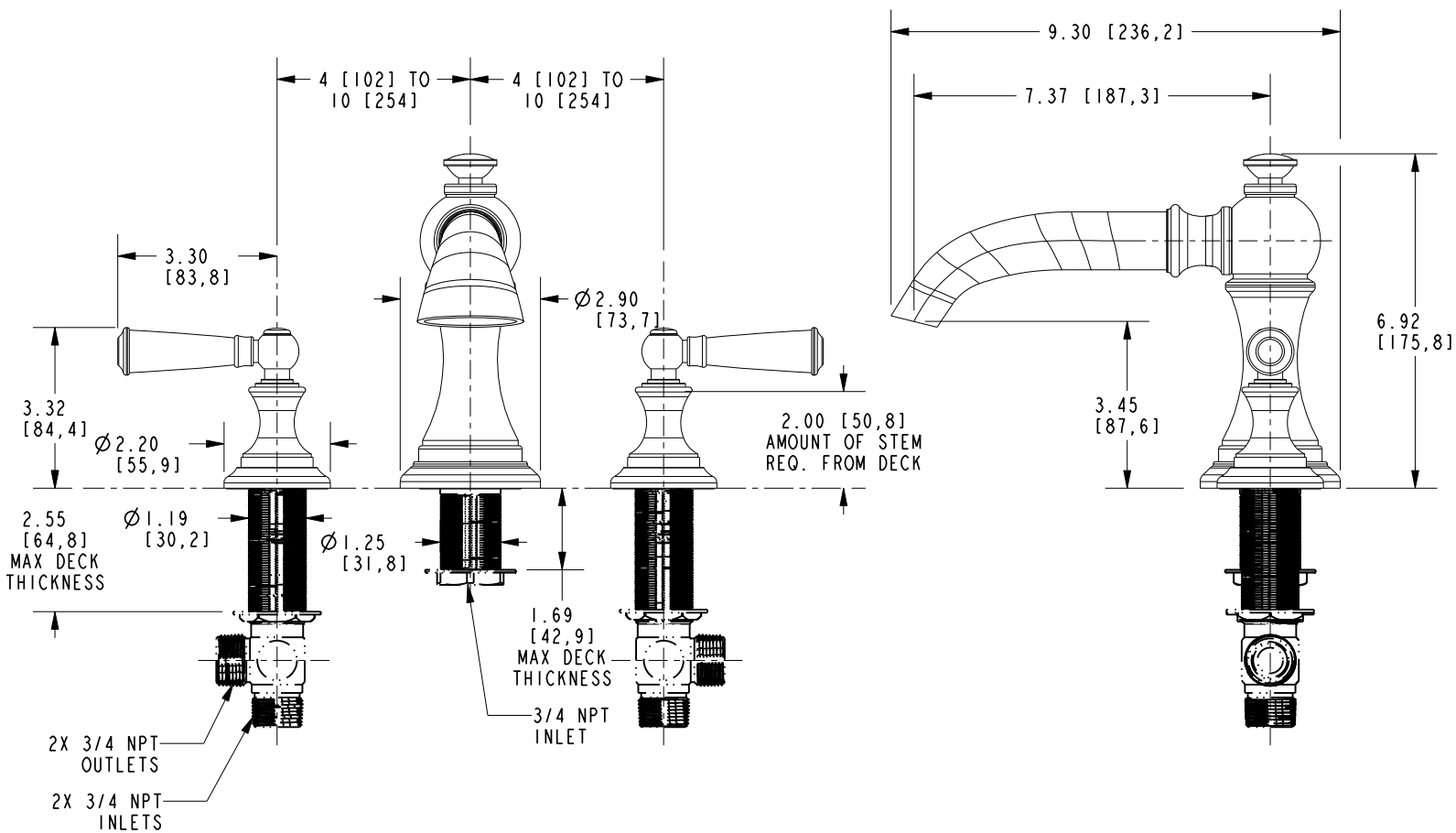


ACCESSORY REQUIRED	
System Element	Deck Tub Valve
Description	2-Valve Assembly With Quick Connect Spout Adapter
Inlet/Outlet Size	3/4"
Part Number	1-502
Image	

3-2456

PRODUCT DIMENSIONS *(Units are in inches)*

Product Dimensions are provided for reference only. For specific product installation guidelines, please reference the Installation Instructions of the product being installed.



ROMAN TUB DECK TRIM

3-2456

Page 2 of 2
EN- 5018
REV D

NEWPORT BRASS
Flawless Beauty. From Faucet to Finish.

t: 949.417.5207 | www.newportbrass.com
©2025 NewportBrass