

## CHESTERFIELD

### Features

Solid brass construction  
Complements Chesterfield product series  
Lever Handle is ADA compliant when used with Newport Brass valves.  
Intended for use with: Bidets - Balanced Pressure Shower - Roman Tub Faucets -  
Shower Control Valves and Diverters - Wide Spread Faucets - Wall Mounted Faucets

Note: Also intended for use as a replacement Cross Handle Trim assembly for deck and wall-mounted faucets, tubs and bidets.

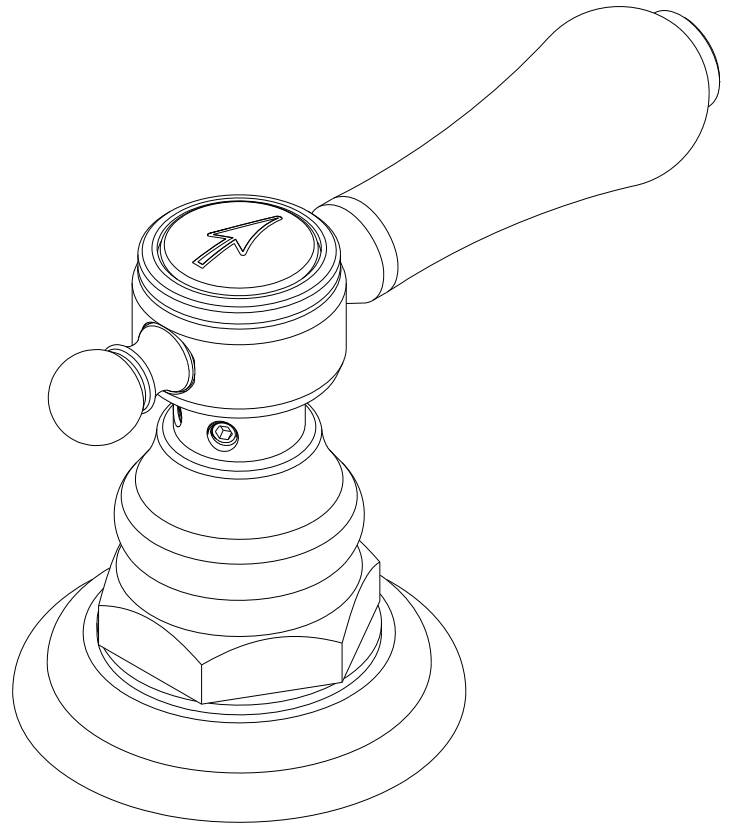
Lever handle Trim

# 3-241

### Codes / Standards Compliance

Meets or exceeds the following at date of manufacture:

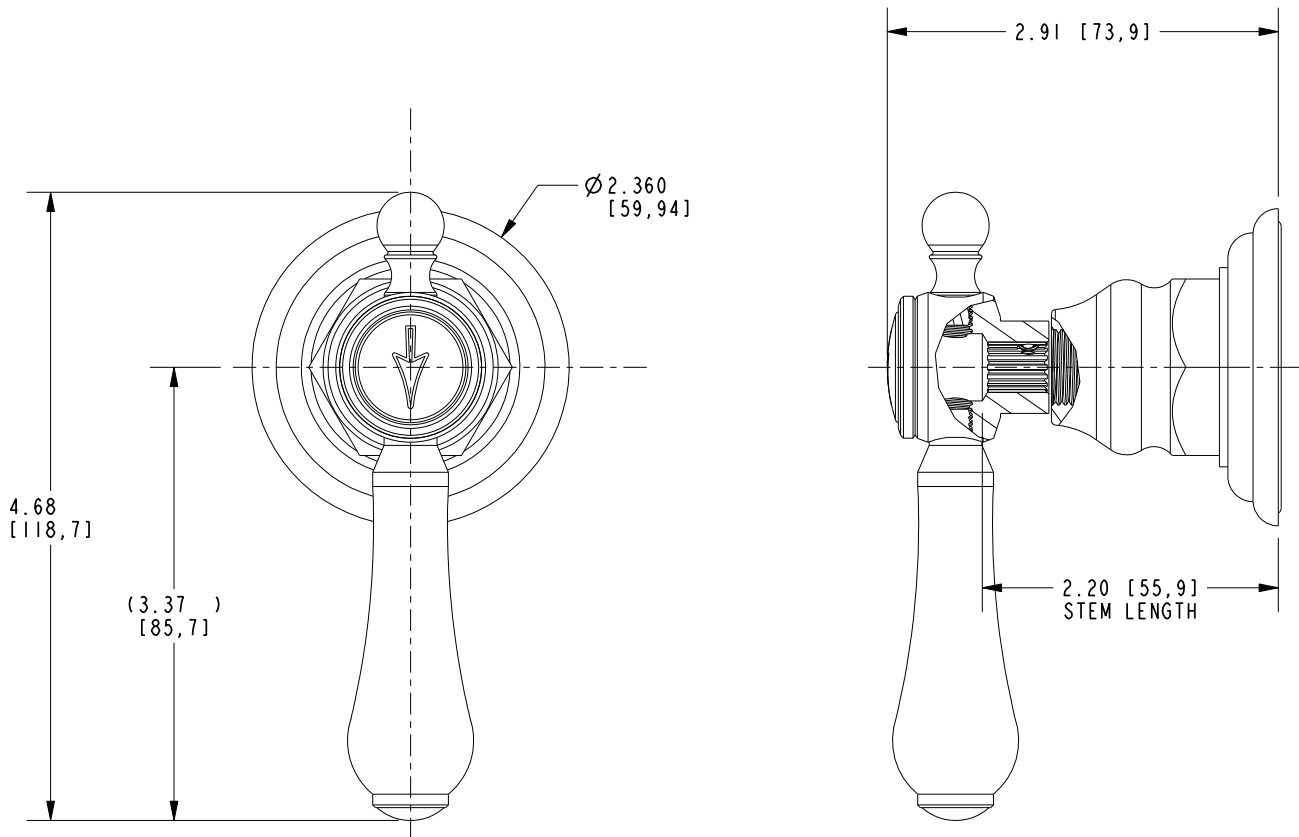
All applicable US Federal and State material regulations



# 3-241

## PRODUCT DIMENSIONS *(Units are in inches)*

Product Dimensions are provided for reference only. For specific product installation guidelines, please reference the Installation Instructions of the product being installed.



Lever handle Trim

**3-241**

Page 2 of 2  
EN- 4989  
REV E

**NEWPORT BRASS**  
Flawless Beauty. From Faucet to Finish.

t: 949.417.5207 | [www.newportbrass.com](http://www.newportbrass.com)  
©2025 NewportBrass