

CHESTERFIELD

Features

- Solid brass construction
- Face plate with ADA compliant traditional lever handle
- ADA compliant traditional lever handle assembly and insert options for control valve
- Intended for use with Newport Brass rough valve(s) as specified (Required Accessory)
- ADA Compliant (Handles Only)
- 1.8 GPM (6.8 LPM) Max, Shower Only

Codes / Standards Compliance

Meets or exceeds the following at date of manufacture:

- ASME A112.18.1/CSA B125.1
- IAPMO/cUPC
- IPC
- ADA & ICC/ANSI A117.1 (Handle Only)
- Energy Policy Act of 1992
- EPA WaterSense
- California Energy Commission
- All applicable US Federal and State material regulations

Colors / Finishes

- 10B: Oil Rubbed Bronze
- 15: Polished Nickel
- 15S: Satin Nickel - PVD
- 26: Polished Chrome

• Other: Refer to the Newport Brass catalog for additional color/finish options.

Shower Trim 3-1034BP

Also 3-241, 241B, 2-532



3-1034BP

3-241

3-241B

2-532

Specified Model

Model	Description	Colors Finishes				
3-1034BP	Shower Trim	<input type="checkbox"/> 10B	<input type="checkbox"/> 15	<input type="checkbox"/> 15S	<input type="checkbox"/> 26	<input type="checkbox"/> Other
3-241	Shower System Control Valve Trim (Escutcheon/Handle, Arrow Insert)	<input type="checkbox"/> 10B	<input type="checkbox"/> 15	<input type="checkbox"/> 15S	<input type="checkbox"/> 26	<input type="checkbox"/> Other
3-241B	Shower System Control Valve Trim (Escutcheon/Handle, Plain Insert)	<input type="checkbox"/> 10B	<input type="checkbox"/> 15	<input type="checkbox"/> 15S	<input type="checkbox"/> 26	<input type="checkbox"/> Other
2-532	Optional Metal Insert for System Control Valve Trim	<input type="checkbox"/> 10B	<input type="checkbox"/> 15	<input type="checkbox"/> 15S	<input type="checkbox"/> 26	<input type="checkbox"/> Other

Required Accessory:

System Element	Shower (or Tub) Valve	Control Valve (Optional)
Description	BP Valve	3-Outlet Diverter
Inlet/Outlet Size	1/2"	1/2"
Part Number	<input type="checkbox"/> 1-684	<input type="checkbox"/> 1-703
Image		

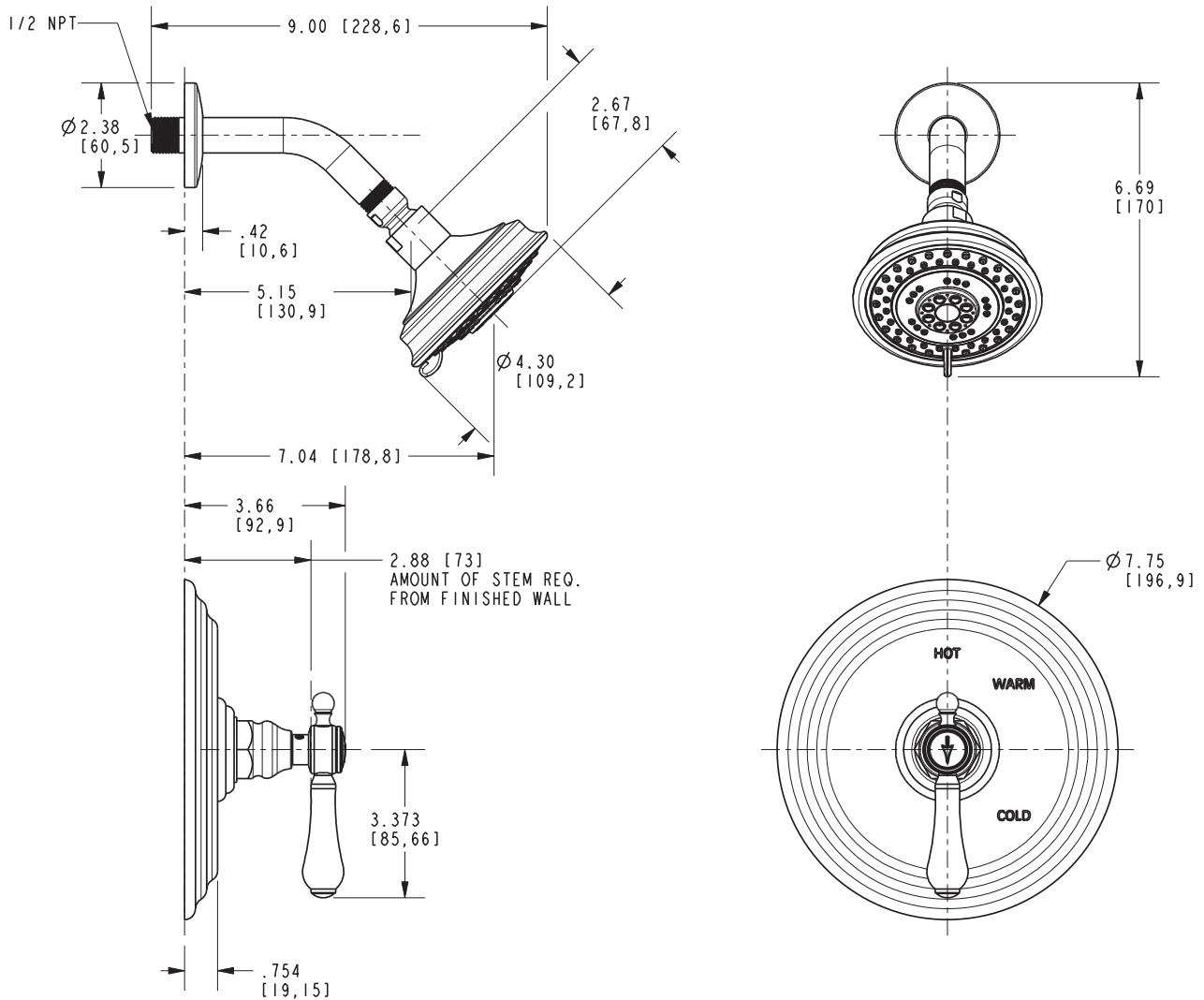
Product Specification: Add size designator and "Color / Finish" suffix to Model number, below.

The single-control Shower Trim shall be made of solid brass construction. Shower Trim shall include showerhead with arm and flange and faceplate with ADA compliant handle. Showerhead shall have a maximum flow rate of 1.8 gallons (6.8 liters) per minute. Shower System Control Valve Trim(s) (Escutcheon/Handle) shall be ADA compliant when used with specified Shower System Control Valve. Shower Trim shall be Newport Brass Model 3-1034BP/____ and single-control Shower rough valve shall be Newport Brass Model 1-684. [Optional Shower System Control Valve Trim (Escutcheon/Handle) shall be 3-241____/____ and Shower System Control Valve shall be 1-703]. [Metal Insert for System Control Valve Trim (Escutcheon/Handle) shall be 2-532/ ____.]

3-1034BP

PRODUCT DIMENSIONS *(Units are in inches)*

Product Dimensions are provided for reference only. For specific product installation guidelines, please reference the Installation Instructions of the product being installed.



Chesterfield Shower Trim 3-1034BP