

Features

TWO-HANDLE BRIDGE FAUCET WITH PULL-DOWN

Solid brass construction
Brass valve bodies
Quarter-turn washerless ceramic disc valve cartridges
Swivel spout assembly with two-function, toggle-control spray engine
Magnetic docking system secures spray engine to spout
9.70" (24.6 cm) spout height at outlet
8.58" (21.8 cm) spout reach (c-c)
For 8" (20.3 cm) centers
ADA Compliant (Handles Only)
1.8 GPM (6.8 LPM) Max

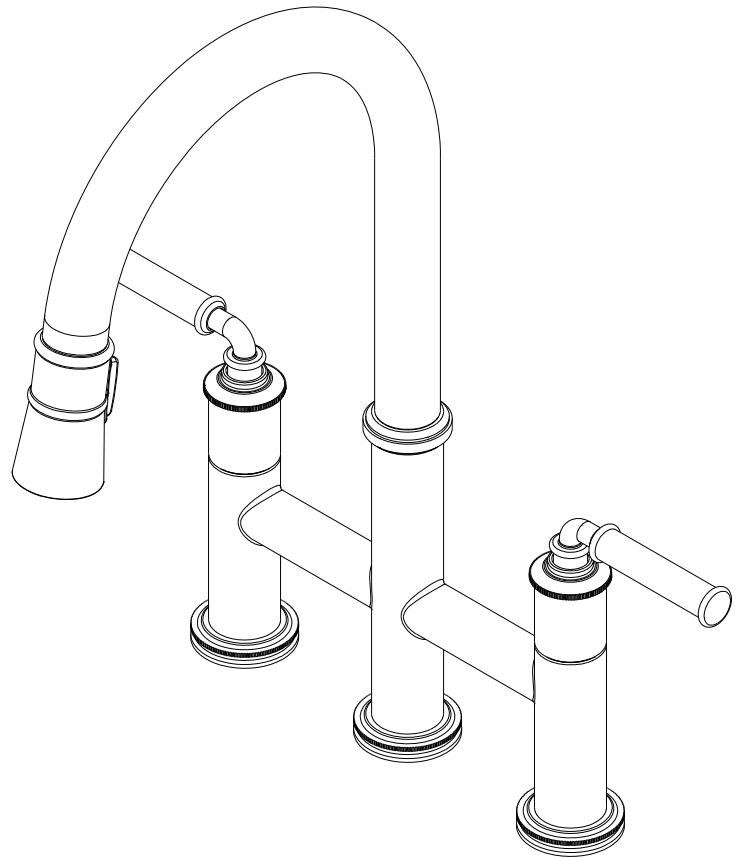
2940-5463



Codes / Standards Compliance

Meets or exceeds the following at date of manufacture:

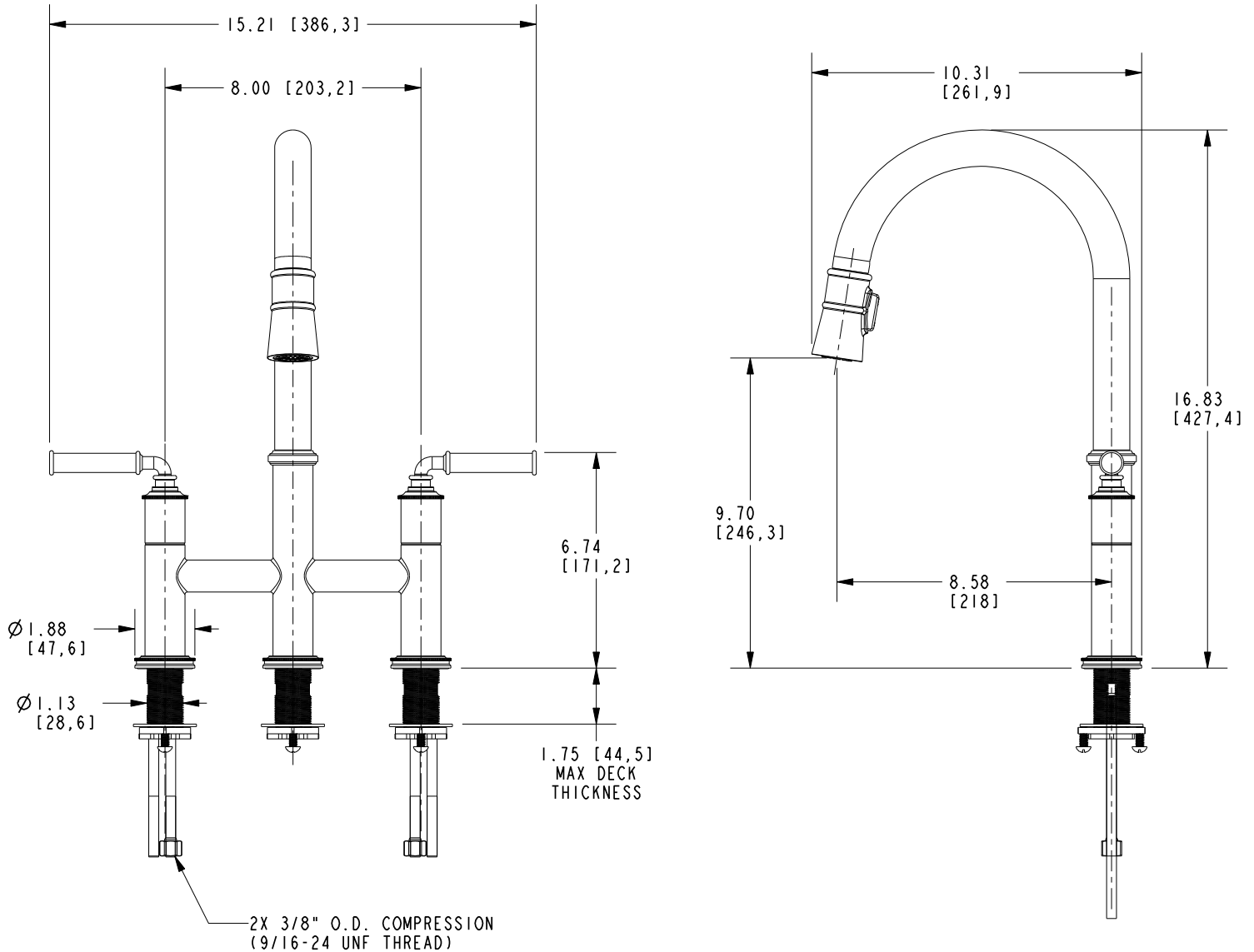
ASME A112.18.1/CAS B125.1
IAPMO/cUPC
NSF/ANSI/CAN 61, SECTION 9
NSF/ANSI 372
IPC
ADA & ICC/ANSI A117.1 (Handle Only)
Energy Policy Act of 1992
ASME A112.18.3 (Back Flow)
All applicable US Federal and State material regulations



2940-5463

PRODUCT DIMENSIONS *(Units are in inches)*

Product Dimensions are provided for reference only. For specific product installation guidelines, please reference the Installation Instructions of the product being installed.



TWO-HANDLE BRIDGE FAUCET WITH PULL-DOWN

2940-5463

Page 2 of 2
EN- 5002
REV C

NEWPORT BRASS
Flawless Beauty. From Faucet to Finish.

t: 949.417.5207 | www.newportbrass.com
©2025 NewportBrass