

TUB & SHOWER

Features

HAND SHOWER HOLDER - WALL MOUNT

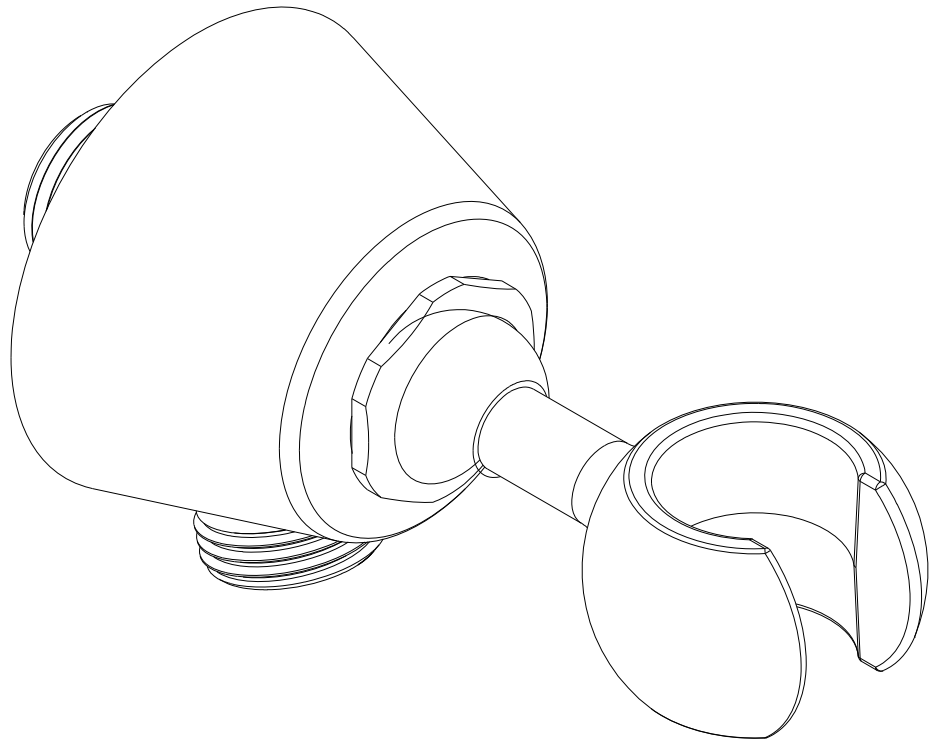
Solid brass construction
Wall-mounted
Intended for use with Newport Brass hand showers

288

Codes / Standards Compliance

Meets or exceeds the following at date of manufacture:

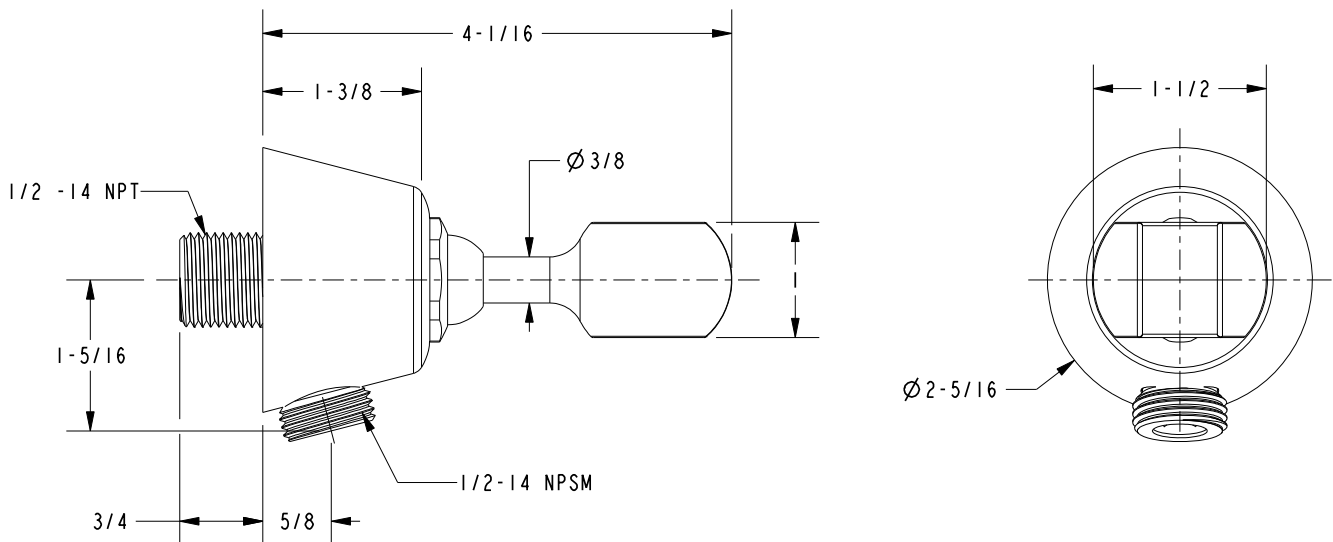
All applicable US Federal and State material regulations



288

PRODUCT DIMENSIONS *(Units are in inches)*

Product Dimensions are provided for reference only. For specific product installation guidelines, please reference the Installation Instructions of the product being installed.



HAND SHOWER HOLDER - WALL MOUNT

288

Page 2 of 2
EN- 4998
REV E

NEWPORT BRASS
Flawless Beauty. From Faucet to Finish.

t: 949.417.5207 | www.newportbrass.com
©2025 NewportBrass