

NEWPORT BRASS

TUB & SHOWER

SINGLE FUNCTION HAND SHOWER

283-2

Features

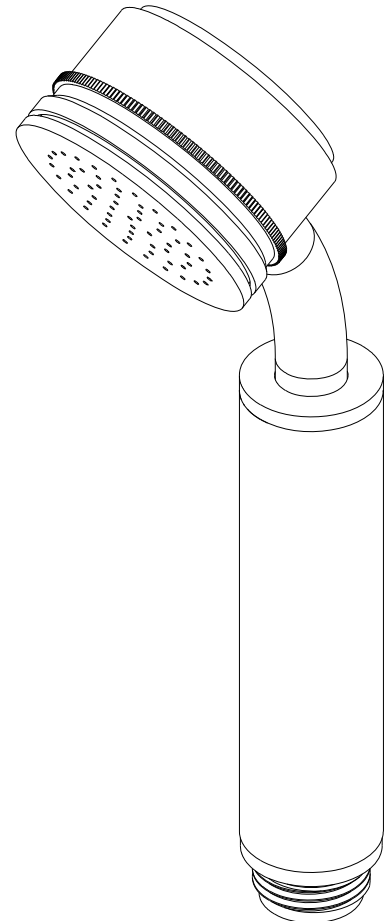
- Solid brass construction
- Contemporary styling
- Single function spray
- Finished spray surface
- 1/2" NPSM inlet fitting
- 2" (5.1 cm) showerhead diameter
- 1.8 GPM (6.8 LPM) Max



Codes / Standards Compliance

Meets or exceeds the following at date of manufacture:

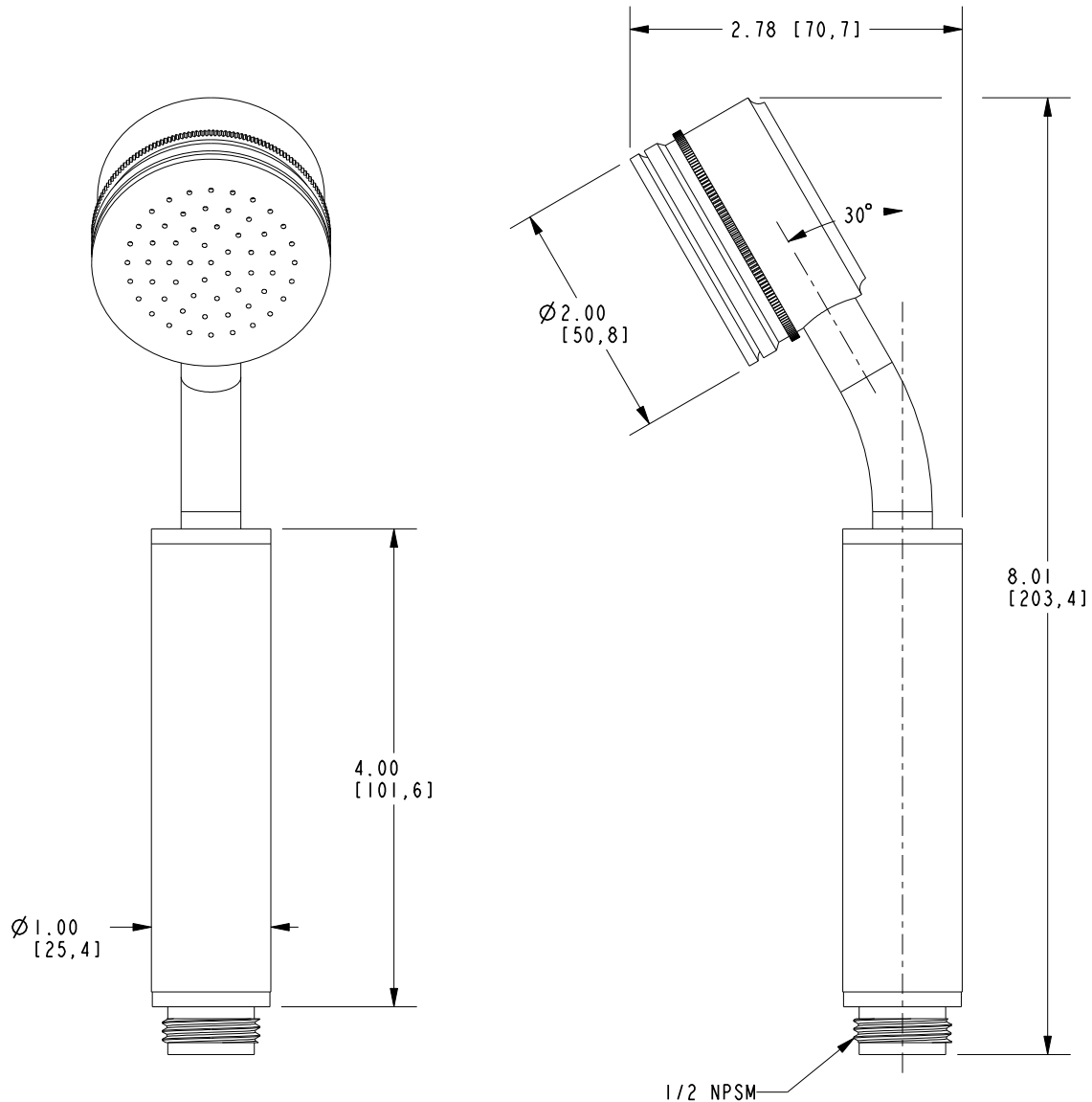
- ASME A112.18.1/CSA B125.1
- IAPMO/cUPC
- IPC
- Energy Policy Act of 1992
- EPA WaterSense
- California Energy Commission
- ASME A112.18.3 (Back Flow) - Double check valves at inlet
- All applicable US Federal and State material regulations



NEWPORT BRASS

PRODUCT DIMENSIONS *(Units are in inches)*

Product Dimensions are provided for reference only. For specific product installation guidelines, please reference the Installation Instructions of the product being installed.



SINGLE FUNCTION HAND SHOWER

283-2