

NEWPORT BRASS

TUB & SHOWER

Features

- Solid brass construction
- Contemporary styling
- Slide bar adjustment handle
- Single function spray
- Rubber nozzles with finished spray surface
- 1/2" NPT inlet elbow fitting
- .65" x 3" (1.6 cm x 7.7 cm) spray are
- 1.8 GPM (6.8 LPM) Max

SLIDE BAR WITH SINGLE FUNCTION HAND SHOWER SET

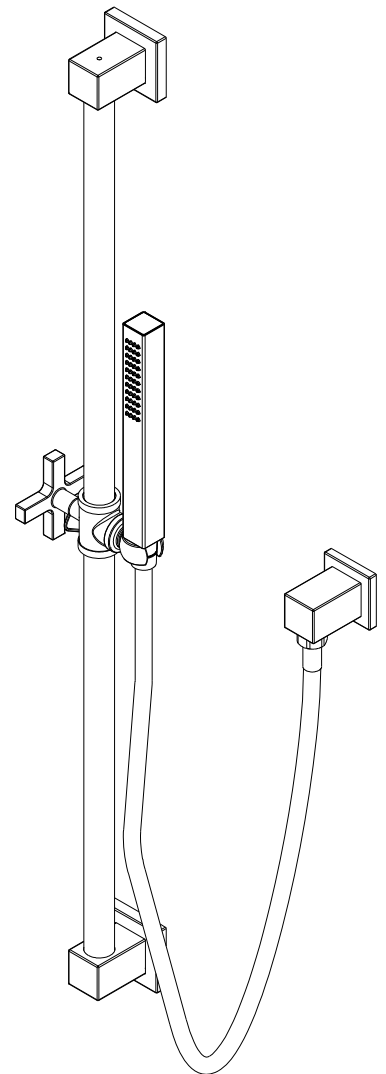
280T



Codes / Standards Compliance

Meets or exceeds the following at date of manufacture:

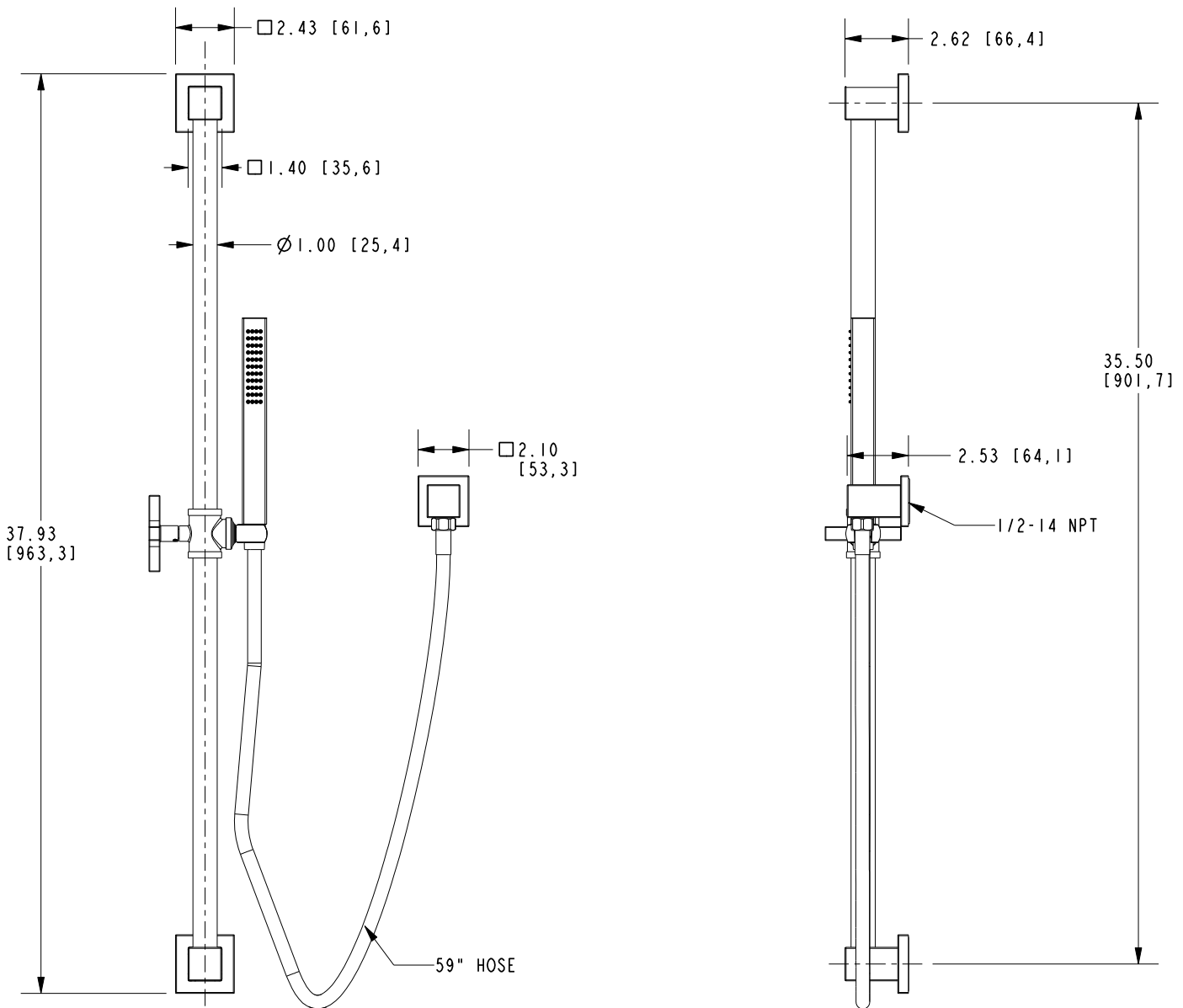
- ASME A112.18.1/CSA B125.1
- IAPMO/cUPC
- IPC
- Energy Policy Act of 1992
- EPA WaterSense
- California Energy Commission
- ASME A112.18.3 (Back Flow) - Double check valves at hand shower inlet
- All applicable US Federal and State material regulations



NEWPORT BRASS

PRODUCT DIMENSIONS *(Units are in inches)*

Product Dimensions are provided for reference only. For specific product installation guidelines, please reference the Installation Instructions of the product being installed.



SLIDE BAR WITH SINGLE FUNCTION HAND SHOWER SET

280T