

NEWPORT BRASS

TUB & SHOWER

Features

- Solid brass construction
- Traditional styling
- Slide bar adjustment handle
- Multi-function engine with 3 spray modes
- Rubber nozzles facilitate easy cleaning
- 1/2" NPT inlet elbow fitting
- 4.30" (10.9 cm) showerhead diameter
- 1.8 GPM (6.8 LPM) Max

SLIDE BAR WITH MULTIFUNCTION HAND SHOWER SET

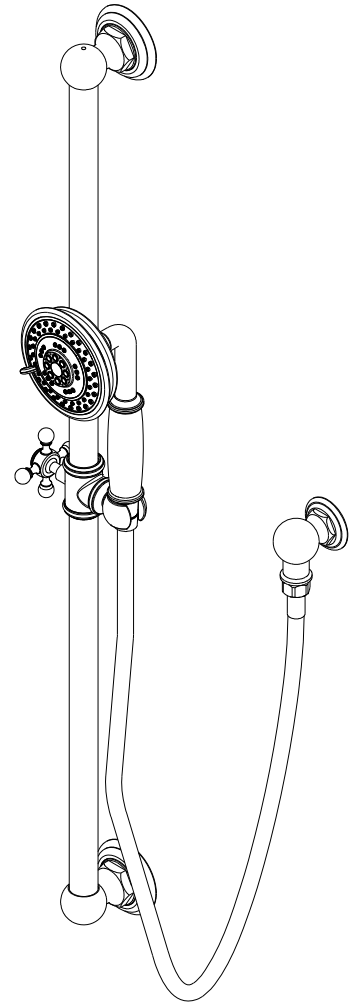
280E



Codes / Standards Compliance

Meets or exceeds the following at date of manufacture:

- ASME A112.18.1/CSA B125.1
- IAPMO/cUPC
- IPC
- Energy Policy Act of 1992
- EPA WaterSense
- California Energy Commission
- ASME A112.18.3 (Back Flow) - Double check valves at hand shower inlet
- All applicable US Federal and State material regulations

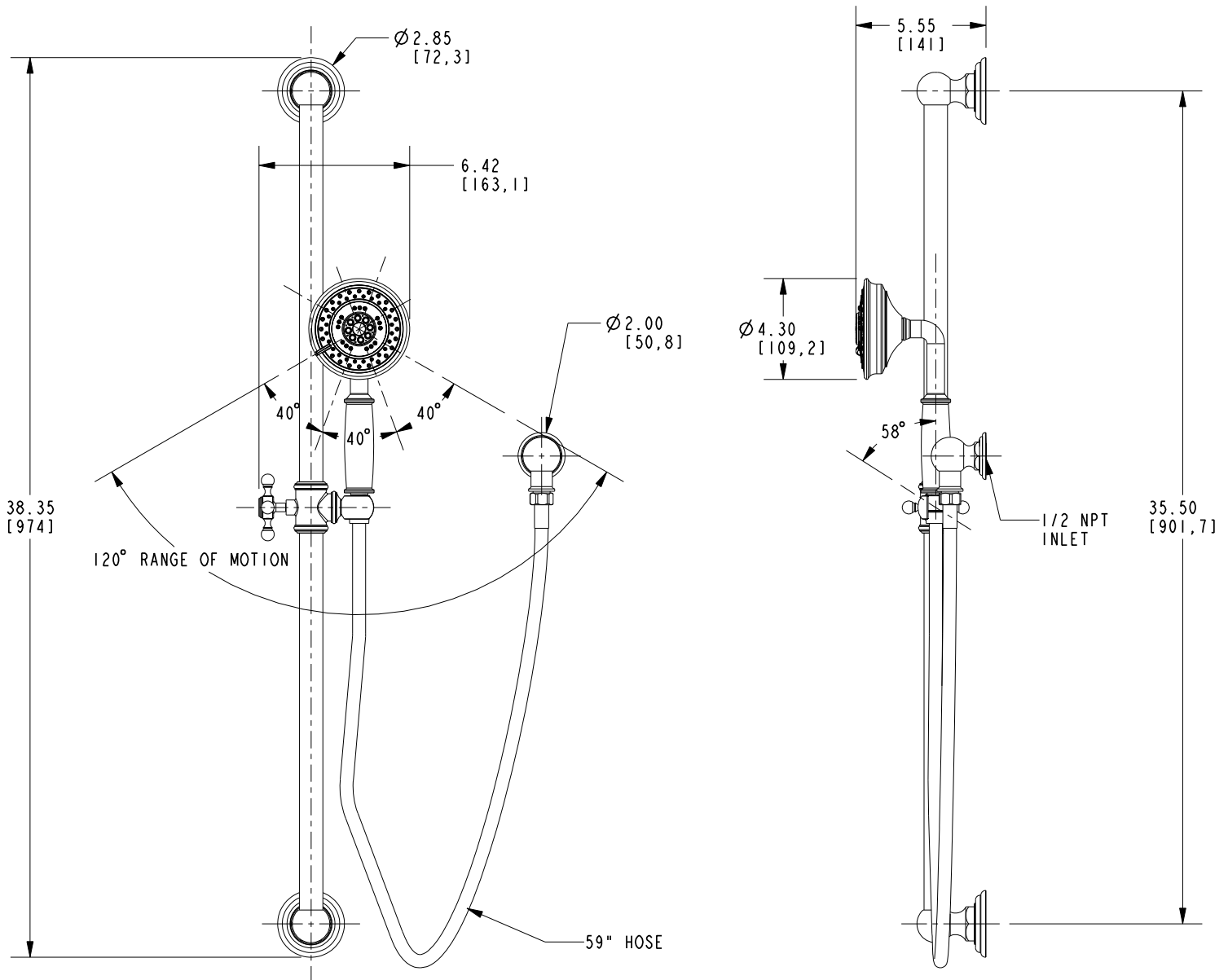


NEWPORT BRASS

280E

PRODUCT DIMENSIONS *(Units are in inches)*

Product Dimensions are provided for reference only. For specific product installation guidelines, please reference the Installation Instructions of the product being installed.



SLIDE BAR WITH MULTIFUNCTION HAND SHOWER SET

280E

Page 2 of 2
EN- 5053
REV F

Newport Brass reserves the right (1) to make changes in specifications and materials, and (2) to change or discontinue models, both without notice or obligation. See current full-line price book or www.newportbrass.com for finish options and product availability.