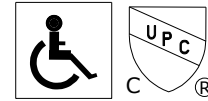


## Features

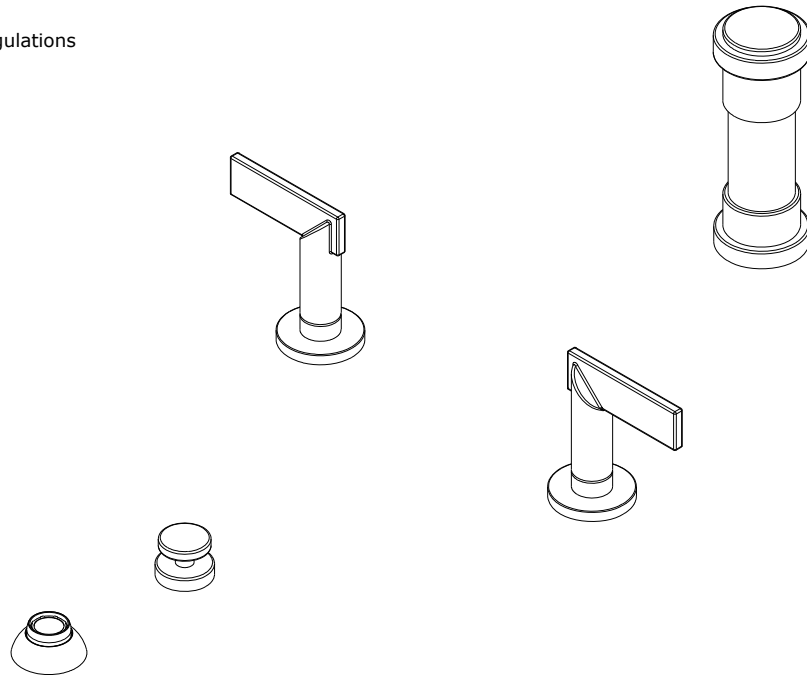
Solid brass construction  
Brass valve bodies  
Quarter-turn washerless ceramic disc valve cartridges  
Lever handles  
Basin-mounted aerated spray nozzle and pop-up drain with tailpiece  
ADA Compliant



## Codes / Standards Compliance

Meets or exceeds the following at date of manufacture:

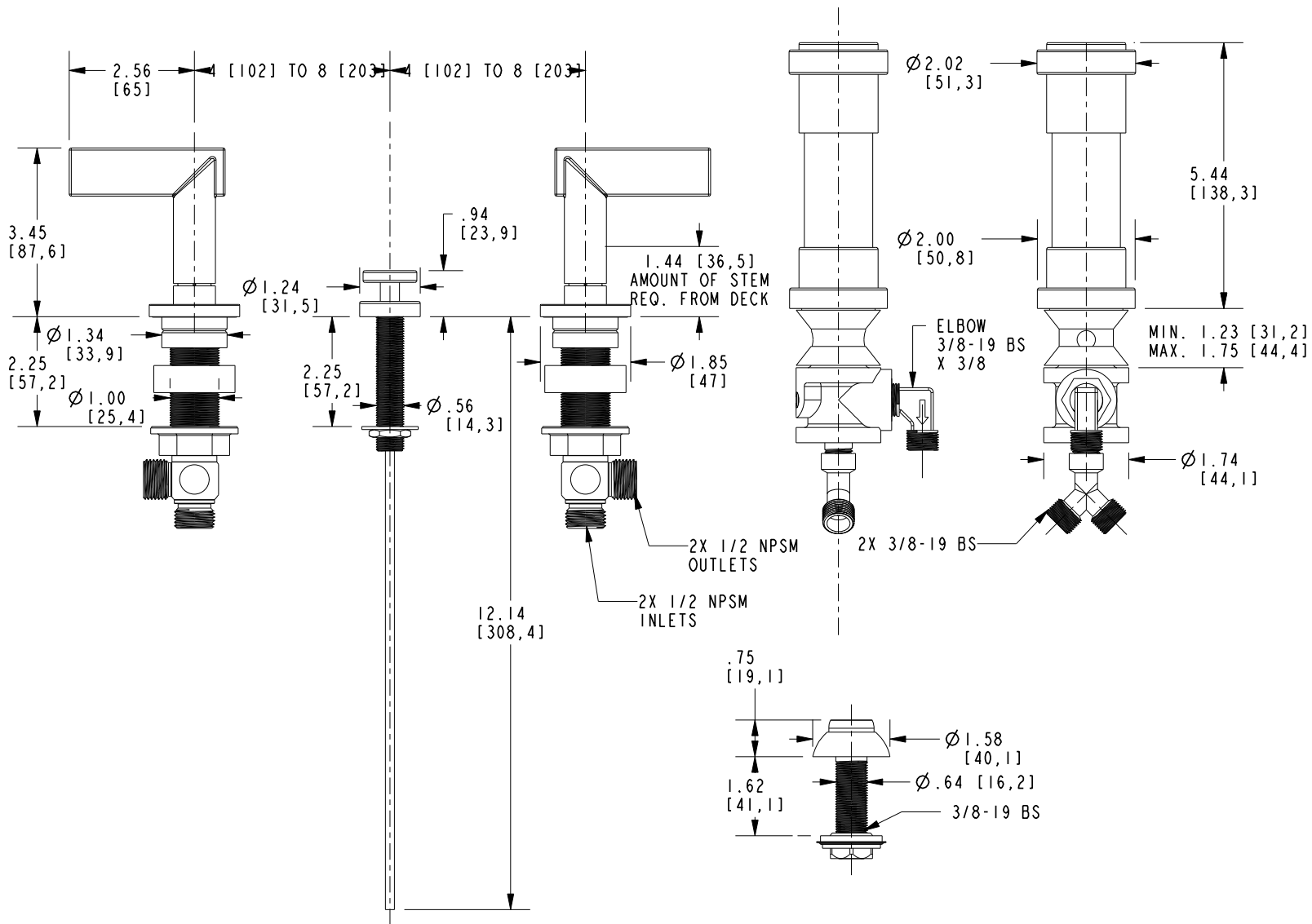
ASME A112.18.1/CSA B125.1  
IAPMO/cUPC  
IPC  
ADA & ICC/ANSI A117.1  
ASME A112.18.3 (Back Flow)  
All applicable US Federal and State material regulations



# 2489

## PRODUCT DIMENSIONS *(Units are in inches)*

Product Dimensions are provided for reference only. For specific product installation guidelines, please reference the Installation Instructions of the product being installed.



BIDET FAUCET

2489

Page 2 of 2  
EN- 5013  
REV D

**NEWPORT BRASS**  
Flawless Beauty. From Faucet to Finish.

t: 949.417.5207 | www.newportbrass.com  
©2025 NewportBrass