

Features

- Solid brass construction
- Euro-motion ceramic disc 35 mm valve cartridge
- Independent rotational and pivoting lever handle elements
- Swivel spout assembly with integral diverter assembly
- Solid brass pull-out sidespray assembly
- 7.67" (19.5 cm) spout height at outlet
- 9.05" (23.0 cm) spout reach (c-c)
- For two hole configurations
- ADA Complaint (Handles Only)
- 1.8 GPM (6.8 LPM) Max

Single-Handle Kitchen Faucet with Sidespray

2470-5313



Codes / Standards Compliance

Meets or exceeds the following at date of manufacture:

- ASME A112.18.1/CSA B125.1
- IAPMO/cUPC
- NSF/ANSI/CAN 61, SECTION 9
- NSF/ANSI 372
- IPC
- ADA & ICC/ANSI A117.1 (Handle Only)
- Energy Policy Act of 1992
- California Energy Commission
- ASME A112.18.3 (Back Flow)
- All applicable US Federal and State material regulations



Colors / Finishes

- 10B: Oil Rubbed Bronze
- 15: Polished Nickel
- 15S: Satin Nickel - PVD
- 26: Polished Chrome
- Other: Refer to the Newport Brass catalog for additional color/finish options.

Specified Model

Model	Description	Colors Finishes
2470-5313	Single-Handle Kitchen Faucet with Sidespray	<input type="checkbox"/> 10B <input type="checkbox"/> 15 <input type="checkbox"/> 15S <input type="checkbox"/> 26 <input type="checkbox"/> Other

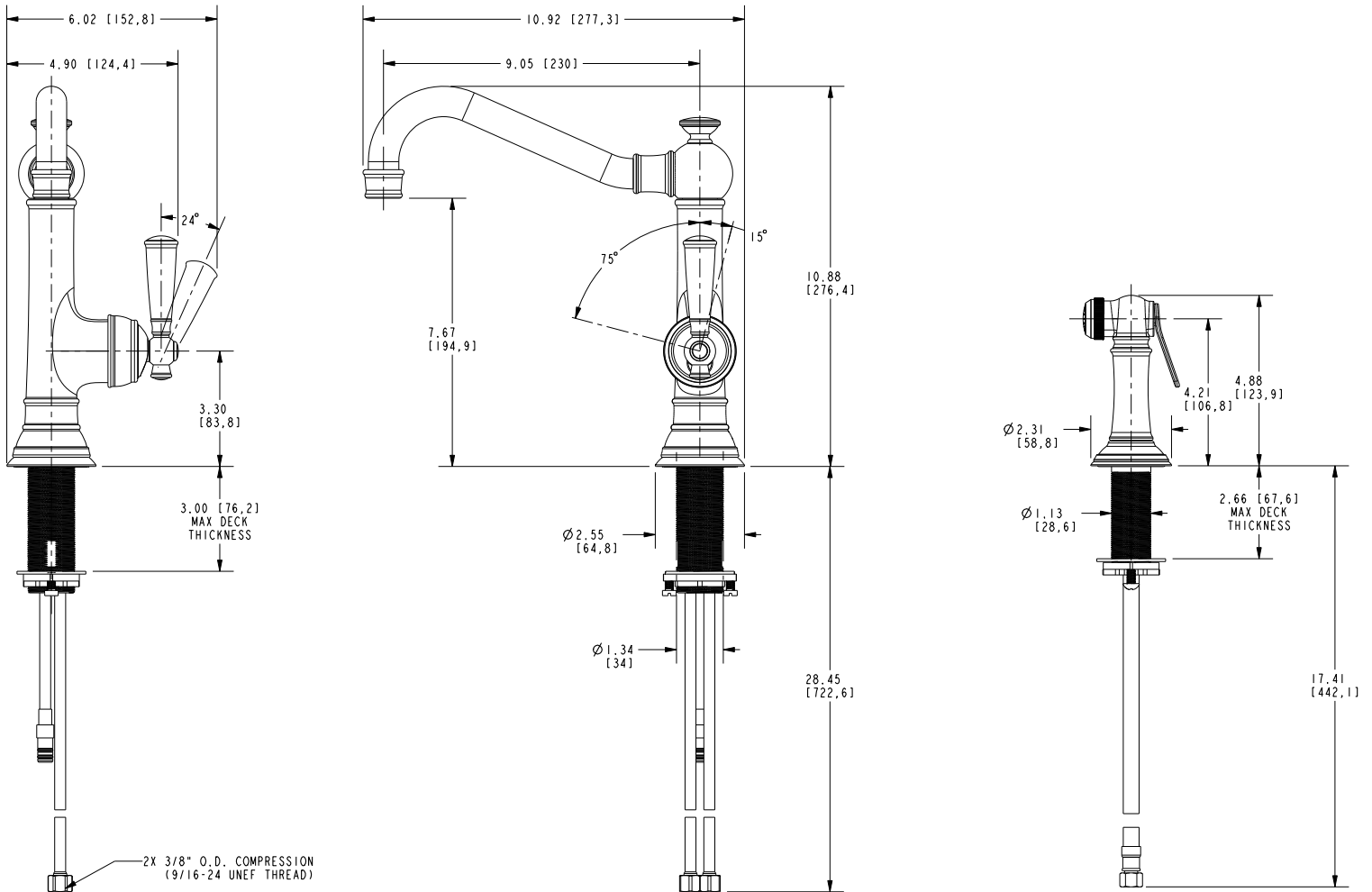
Product Specification Add "Color / Finish" suffix to Model number, below.

The Single-Handle Kitchen Faucet with Sidespray shall be made of solid brass construction. Faucet shall incorporate a swivel spout assembly with top-accessible side-spray diverter assembly and feature a Euro-motion ceramic disc 35 mm valve cartridge. Faucet shall have a 1.8 gallons (6.8 liters) per minute maximum flow rate. Product shall require two holes for installation. Product shall incorporate a 7.67" (19.5 cm) spout height at outlet and a 9.05" (23.0 cm) spout reach (c-c). Faucet shall incorporate a side-mounted ADA lever handle having Independent rotational and pivoting elements. Single-Handle Kitchen Faucet with Sidespray shall be Newport Brass Model 2470-5313/_____.

2470-5313

PRODUCT DIMENSIONS *(Units are in inches)*

Product Dimensions are provided for reference only. For specific product installation guidelines, please reference the Installation Instructions of the product being installed.



Jacobean Single-Handle Kitchen Faucet with Sidespray 2470-5313