

ALEXANDRIA

TOILET TISSUE HOLDER

Features

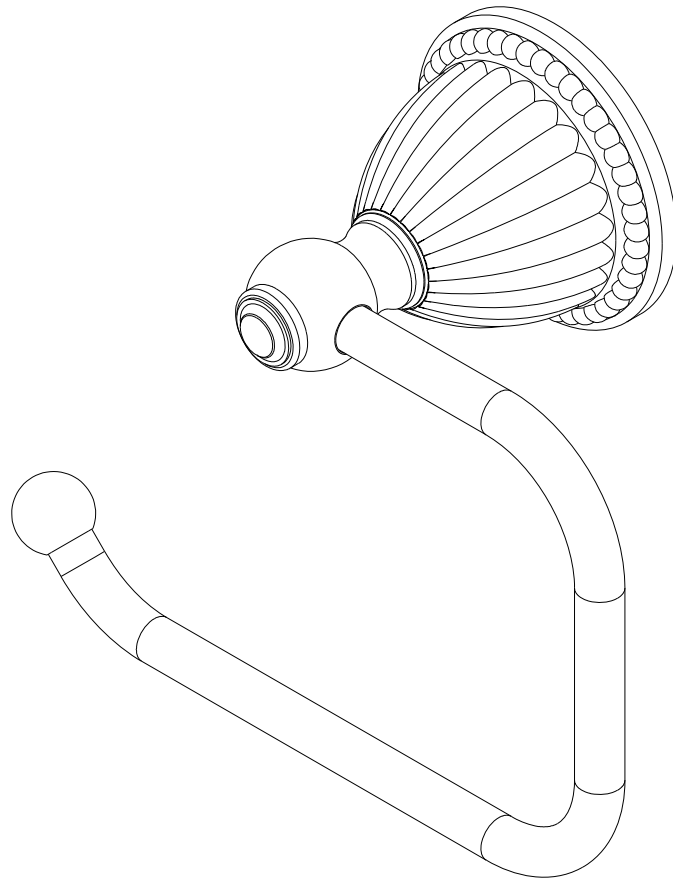
Solid brass construction
Single-post, open roller design
Complements Alexandria product series

22-27

Codes / Standards Compliance

Meets or exceeds the following at date of manufacture:

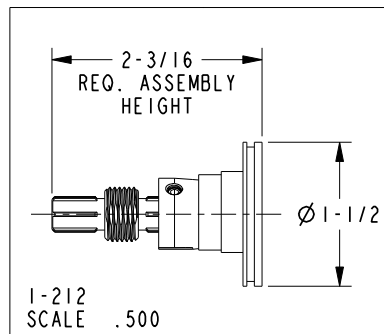
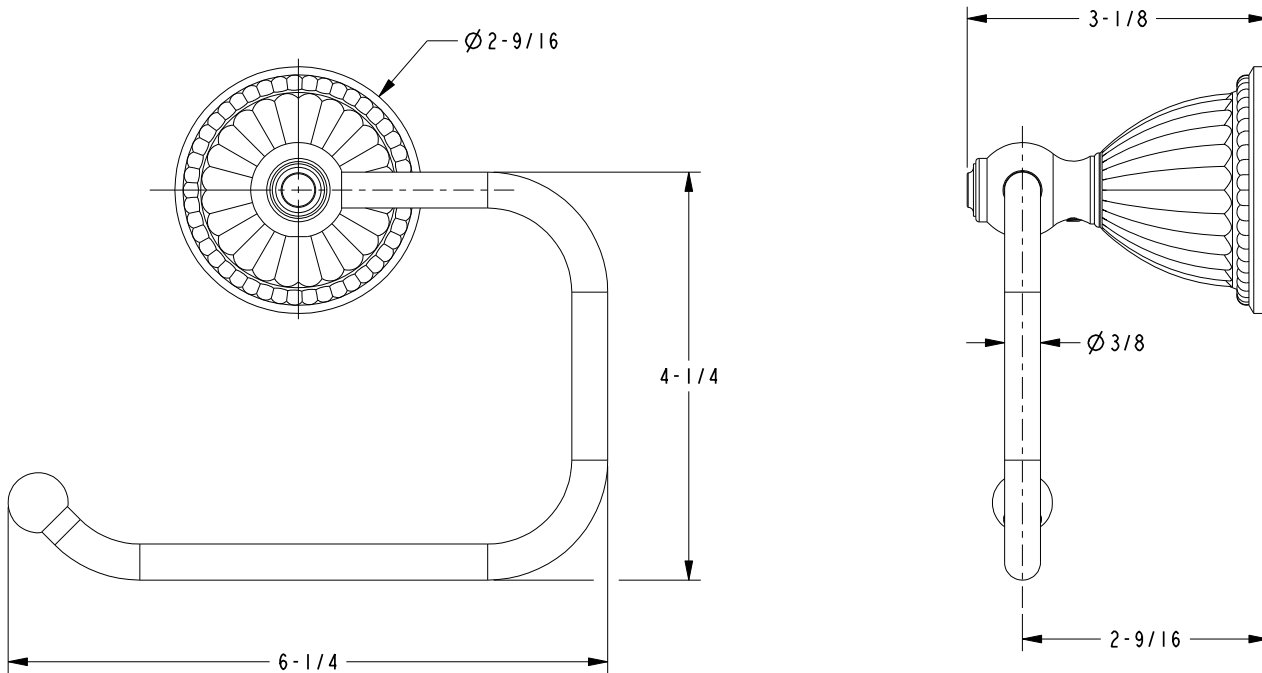
All applicable US Federal and State material regulations



22-27

PRODUCT DIMENSIONS (Units are in inches)

Product Dimensions are provided for reference only. For specific product installation guidelines, please reference the Installation Instructions of the product being installed.



TOILET TISSUE HOLDER

22-27

Page 2 of 2
EN- 5029
REV D

NEWPORT BRASS
Flawless Beauty. From Faucet to Finish.

t: 949.417.5207 | www.newportbrass.com
©2025 NewportBrass