

NEWPORT BATH

Features

Solid brass construction
Traditional styling
Single function spray
Finished spray surface
Ball and socket design having a range of 60 degrees
1/2" NPSM inlet fitting
1.87" (4.8 cm) Body Spray diameter
1.8 GPM (6.8 LPM) Max

BODY SPRAY

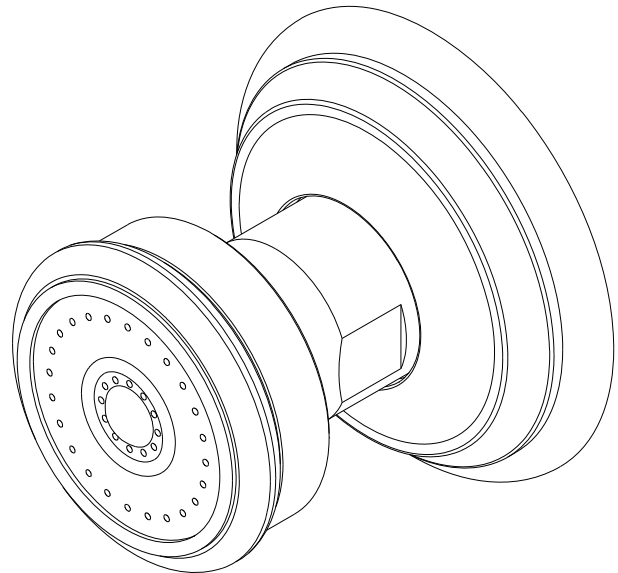
217



Codes / Standards Compliance

Meets or exceeds the following at date of manufacture:

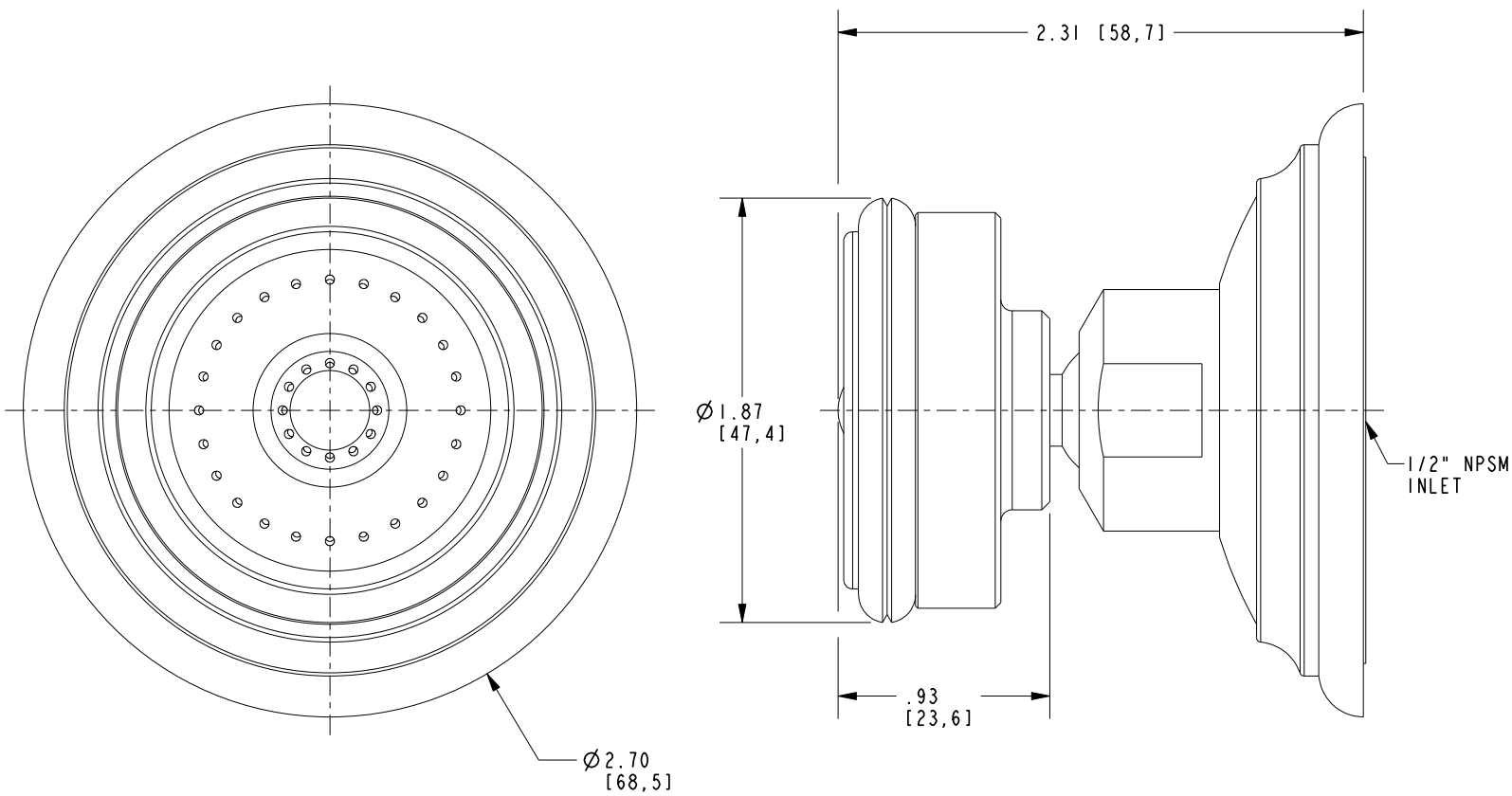
ASME A112.18.1/CSA B125.1-18
IAPMO/cUPC
IPC
Energy Policy Act of 1992
California Energy Commission
All applicable US Federal and State material regulations



217

PRODUCT DIMENSIONS *(Units are in inches)*

Product Dimensions are provided for reference only. For specific product installation guidelines, please reference the Installation Instructions of the product being installed.



BODY SPRAY

217

Page 2 of 2
EN- 5012
REV H

NEWPORT BRASS
Flawless Beauty. From Faucet to Finish.

t: 949.417.5207 | www.newportbrass.com
©2025 NewportBrass