

# NEWPORT BATH

## Features

- Solid brass construction
- Contemporary styling
- Simulated rainfall shower pattern
- Rubber nozzles facilitate easy cleaning
- 1/2" NPT inlet pivot ball fitting
- 8.90" (22.6 cm) showerhead diameter
- CEILING MOUNT ONLY
- 1.8 GPM (6.8 LPM) Max

## Showerhead

# 2153



## Codes / Standards Compliance

Meets or exceeds the following at date of manufacture:

- ASME A112.18.1/CSA B125.1
- IAPMO/cUPC
- IPC
- Energy Policy Act of 1992
- EPA WaterSense
- California Energy Commission
- All applicable US Federal and State material regulations



## Colors / Finishes

- 10B: Oil Rubbed Bronze
  - 15: Polished Nickel
  - 15S: Satin Nickel - PVD
  - 26: Polished Chrome
- Other: Refer to the Newport Brass catalog for additional color/finish options.

## Specified Model

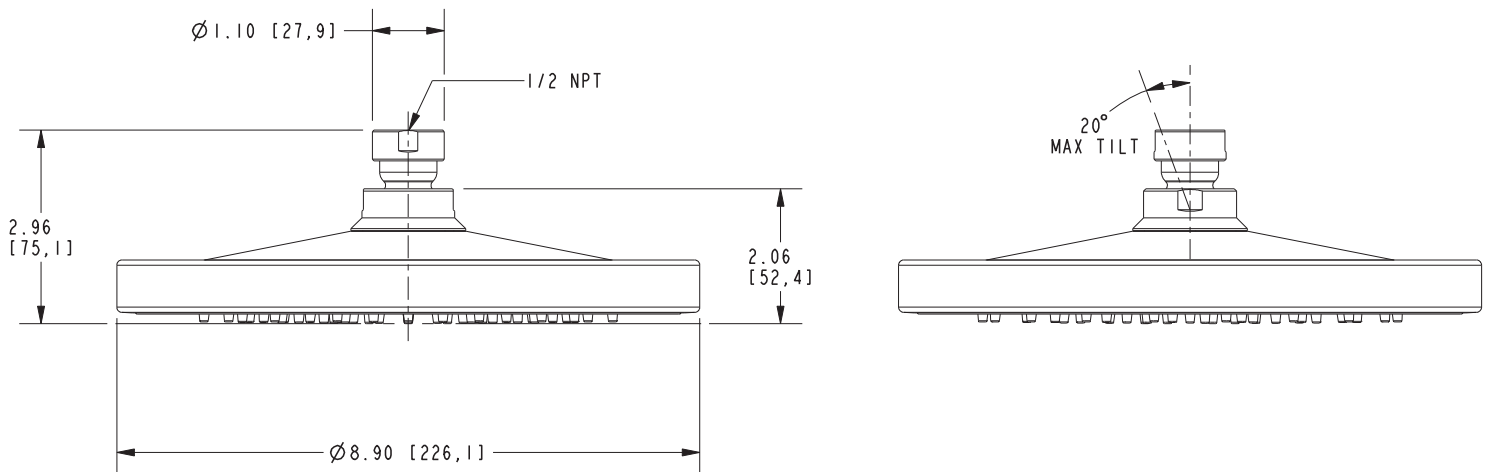
Model	Description	Colors   Finishes				
2153	Showerhead	<input type="checkbox"/> 10B	<input type="checkbox"/> 15	<input type="checkbox"/> 15S	<input type="checkbox"/> 26	<input type="checkbox"/> Other

## Product Specification Add "Color / Finish" suffix to Model number, below.

The Showerhead shall be of solid brass construction while incorporating a non-metallic showerhead engine. Showerhead shall have a simulated rainfall shower pattern and incorporate rubber nozzles to facilitate easy cleaning. Showerhead shall have a 1/2" NPT inlet fitting and 8.90" (22.5 cm) showerhead diameter while operating at 1.8 gallons (6.8 liters) per minute maximum flow rate. Showerhead shall be Newport Brass Model 2153/\_\_\_\_.

# 2153

## PRODUCT DIMENSIONS *(Units are in inches)*



### Newport Bath Showerhead 2153