

Features

- Solid brass construction
- Traditional styling
- 29 brass spray jets
- Brass nozzles for aesthetic appeal
- 1/2" NPT inlet pivot ball fitting
- 4.94" (12.5 cm) showerhead diameter
- 1.8 GPM (6.8 LPM) Max

Showerhead

214



Codes / Standards Compliance

Meets or exceeds the following at date of manufacture:

- ASME A112.18.1/CSA B125.1
- IAPMO/cUPC
- IPC
- Energy Policy Act of 1992
- EPA WaterSense
- California Energy Commission
- All applicable US Federal and State material regulations



Colors / Finishes

- 10B: Oil Rubbed Bronze
 - 15: Polished Nickel
 - 15S: Satin Nickel - PVD
 - 26: Polished Chrome
- Other: Refer to the Newport Brass catalog for additional color/finish options.

Specified Model

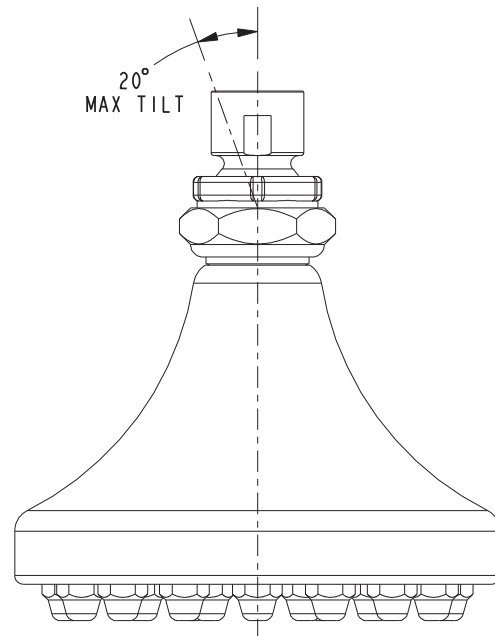
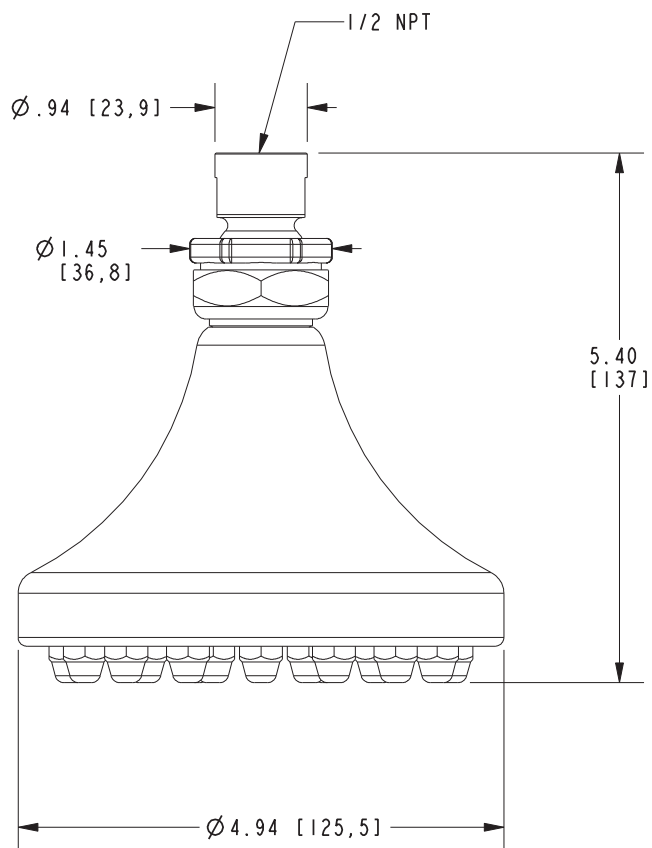
Model	Description	Colors Finishes				
214	Showerhead	<input type="checkbox"/> 10B	<input type="checkbox"/> 15	<input type="checkbox"/> 15S	<input type="checkbox"/> 26	<input type="checkbox"/> Other

Product Specification Add "Color / Finish" suffix to Model number, below.

The Showerhead shall be of solid brass construction. Showerhead shall have a brass nozzle spray jet design incorporating 29 individual spray nozzles. Showerhead shall have a 1/2" NPT inlet fitting and 4.94" (12.5 cm) showerhead diameter while operating at 1.8 gallons (6.8 liters) per minute maximum flow rate. Showerhead shall be Newport Brass Model 214/____.

214

PRODUCT DIMENSIONS *(Units are in inches)*



Newport Bath Showerhead 214